

# / BROKK 300 PEDESTAL BOOM

The Brokk 300 Pedestal Boom is adapted to suit primary breaking at mobile crushers, jaw crushers and grizzlies, the great flexibility makes it optimal for underground and confined space applications. The option of easy attachment changes and remote maneuvering with video and audio feedback makes it the ultimate plug-and-play solution for rock breaking at crushers and grizzlies.

- Small footprint
- 360 degrees slewing
- Perfect for spaces with low headroom
- Plug-and-play solution



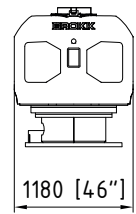
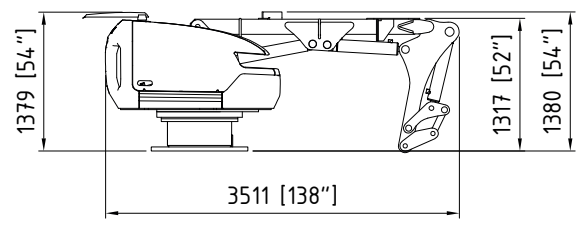
Hydraulic breaker in images: BHB 455  
Load and stability diagram available on request



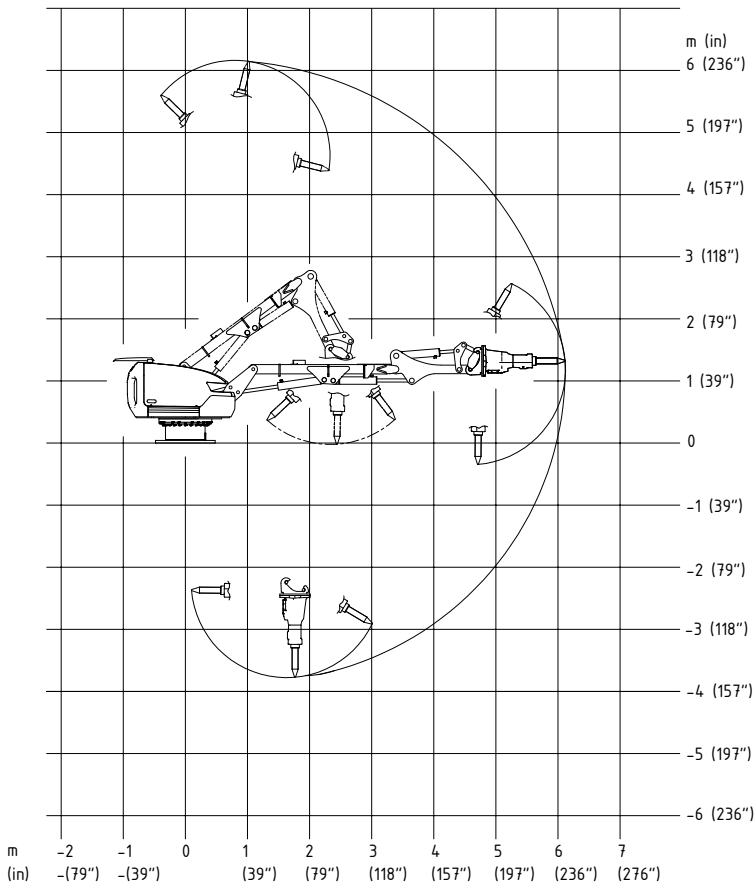
TECHNICAL DATA	
<b>Slewing speed</b>	16 sec/360°
<b>Hydraulic system capacity</b>	95 l; 25 US gal
<b>Pump type</b>	Variable load-sensing
<b>System pressure</b>	17 MPa; 2466 psi
<b>Increased pressure to attachment</b>	23 MPa; 3336 psi
<b>Pump flow 50 Hz</b>	100 l/min; 26 US gal/min
<b>60 Hz</b>	120 l/min; 32 US gal/min
<b>Power*</b>	37 kW
<b>Recommended fuse size*</b>	63 A
<b>Machine weight**</b>	2615 kg; 5765 lbs
<b>Recommended attachment weight</b>	500 kg; 1102 lbs

\*Valid for 400 V/50 Hz and 440 V/60 Hz  
 \*\*Excluding options and attachment

## SIZE



## REACH



Tolerances for technical data may vary