



BROKK[®]

**Original
Demolition
Power**

2018-2019

BROKK

2018-2019

BRONX



TABLE OF CONTENTS

Definitive Demolition Solution	4-5	Brokk 170	36-37
The Next Step	6-7	Brokk 200	38-39
Construction	10-11	Brokk 300	40-41
Tunneling	12-13	Brokk 500	42-43
Mining	14-15	Brokk 520D	44-45
Metal Processing	16-17	Brokk 800 Standard	46-47
Cement	18-19	Brokk 800 Process	48-49
Nuclear	20-21	Options	50-52
Unique Features of Brokk Machines .	24-25	Brokk EX	53
SmartConcept		Original Attachments	54-61
SmartPower™	26-27	Brokk Uptime™	
SmartDesign™	28	Introduction	62-63
SmartRemote™	29	Service and Spare Parts	64-65
Brokk 60 ^{II}	30-31	Service Agreements and Training .	66-67
Brokk 110	32-33	Contacts Worldwide	68-69
Brokk 120D ^{II}	34-35	Machine Comparison Chart	70-71

DEFINITIVE DEMOLITION SOLUTION

The Definitive Demolition Solution



Successful demolition projects all over the world tell the same story: When traditional methods don't cut it – hand-held tools too slow and dangerous, can't do the job through lack of access, or just aren't efficient enough – Brokk is the answer. Our compact demolition robots define profitable demolition by redefining the power-to-weight equation.

COMPACT POWER

Brokk machines provide big power in a small package. Whether the work environment is construction, metal processing, nuclear or underground, the extraordinary strength of a Brokk machine makes it the ideal solution for efficient, versatile and profitable demolition or maintenance work. A Brokk machine wields the same demolition power as an excavator four or five times its size. Thus a

five-ton Brokk machine outperforms a 20-ton excavator, while even the smallest Brokk robot of 500 kg easily completes a job 5-10 times faster than handheld tools. And for all Brokk models, all that capability comes in an incredibly compact, lightweight, easy-to-transport package.

SAFE & EFFICIENT

Remote-controlled capability enables a Brokk operator to maneuver the machine efficiently with a better, safer view of the work. The remote control keeps the operator clear of exposed areas and eliminates the risk of harmful vibrations, and its smart and ergonomic design keeps the operator productive throughout long work shifts. And the new Brokk SmartPower™ power systems give Brokk machines all the power, reliability and durability you need for the most demanding projects.

BROKK TOP 5

1

Experience With over 40 years of leadership in demolition robot design, manufacturing and application, we know what it takes to get the job done safely, efficiently and profitably.

2

Focus At Brokk, demolition robots are all we do. We dedicate 100 percent of our time, resources and passion to perfecting remote-controlled demolition machines. Nothing else.

3

Range No other manufacturer on the market offers a comparable range of demolition robots and custom attachments. When you choose Brokk, you get exactly what you want.

4

Solutions We don't sell products; we deliver solutions to your needs. We understand the specific demands of each industry, and we know the applications where a Brokk machine can make the biggest difference.

5

Service Through BrokkUptime™, we provide a global support network with local service and experienced, knowledgeable staff.



FLEXIBLE & VERSATILE

The signature hallmark of every Brokk robot is versatility. Thanks to their unique 3-arm system and remote operation, Brokk machines give their operators unparalleled reach, precision, and stability. The wide and ever-expanding range of attachments makes it the perfect tool for the endless variety of applications on today's job sites. No matter what your needs, there's a machine size and an attachment that are right for the project and situation. And if you need something extraordinary, we can custom-build your own unique Brokk with over 40 years of experience and best practices built in.

EXPERIENCED & TRUSTWORTHY

With over four decades of demolition experience, Brokk has been on the job site long enough to help you find the safest, most productive and most profitable solution to your needs. Our experts provide you with a solution, not just a machine. Through our global service and support network and Brokk Uptime™ – spare parts, expert guidance and unequalled industry knowledge are all just a phone call away.

With Brokk you can customize your demolition robot to meet your own unique needs. Here is a customized Brokk 120 D with radiation-shielded electronics, radiation-tolerant Ahlberg Cameras video system, battery-powered recovery system, hydraulic quick hitch and a multi-grapple attachment.



The Next Step in World-Leading Demolition Power



The key to success in today's world is working smarter. This means finding new ways to increase efficiency and profitability, maintaining a competitive edge, all while enhancing safety. Today, over 7,000 Brokk machines are achieving that goal on a wide variety of projects around the world. It is therefore only logical that Brokk now sets a new benchmark in remote-controlled demolition. Here are just a few ways that Brokk is leading the industry:

1. SMARTPOWER™, SMARTDESIGN™ AND SMARTREMOTE™

The new generation of smart Brokk robots comes with leading-edge technology and features that are unique in the industry. In these machines, we have compressed over 40 years of experience into compact demolition robots with extraordinary capabilities.

- The Brokk SmartPower™ system brings intelligence into the machine and generates record-breaking power out of the same-sized compact power-trains. In addition it is the world's only electrical system that is specifically designed to withstand the extreme operating conditions of demolition robots.
- The Brokk SmartDesign™ makes the machines rugged, simplifies preventive maintenance and is designed to make any required field service easy to carry out.
- The Brokk SmartRemote™ uses the most robust and reliable professional radio technology and is designed together with ergonomic experts to make the operator highly productive even at the end of a long work shift.

Find out more about our Brokk SmartConcept™ on page 26-29.



2. BROKK UPTIME™

With Brokk Uptime™ we have launched a unique concept that combines proactive service and support, rapid response delivery of high quality Brokk Original Spare Parts™, along with available service agreements for peace of mind and maximum uptime. Brokk Uptime™ is based on over 40 years of experience of maintaining and servicing demolitions robots in tough real-world applications. Together, we ensure that your Brokk machine performs at its best, all the time, and on your schedule.

When you sign up for a Brokk Uptime™ proactive service agreement, you can be assured that your machine is in expert hands, no matter where in the world you're working.

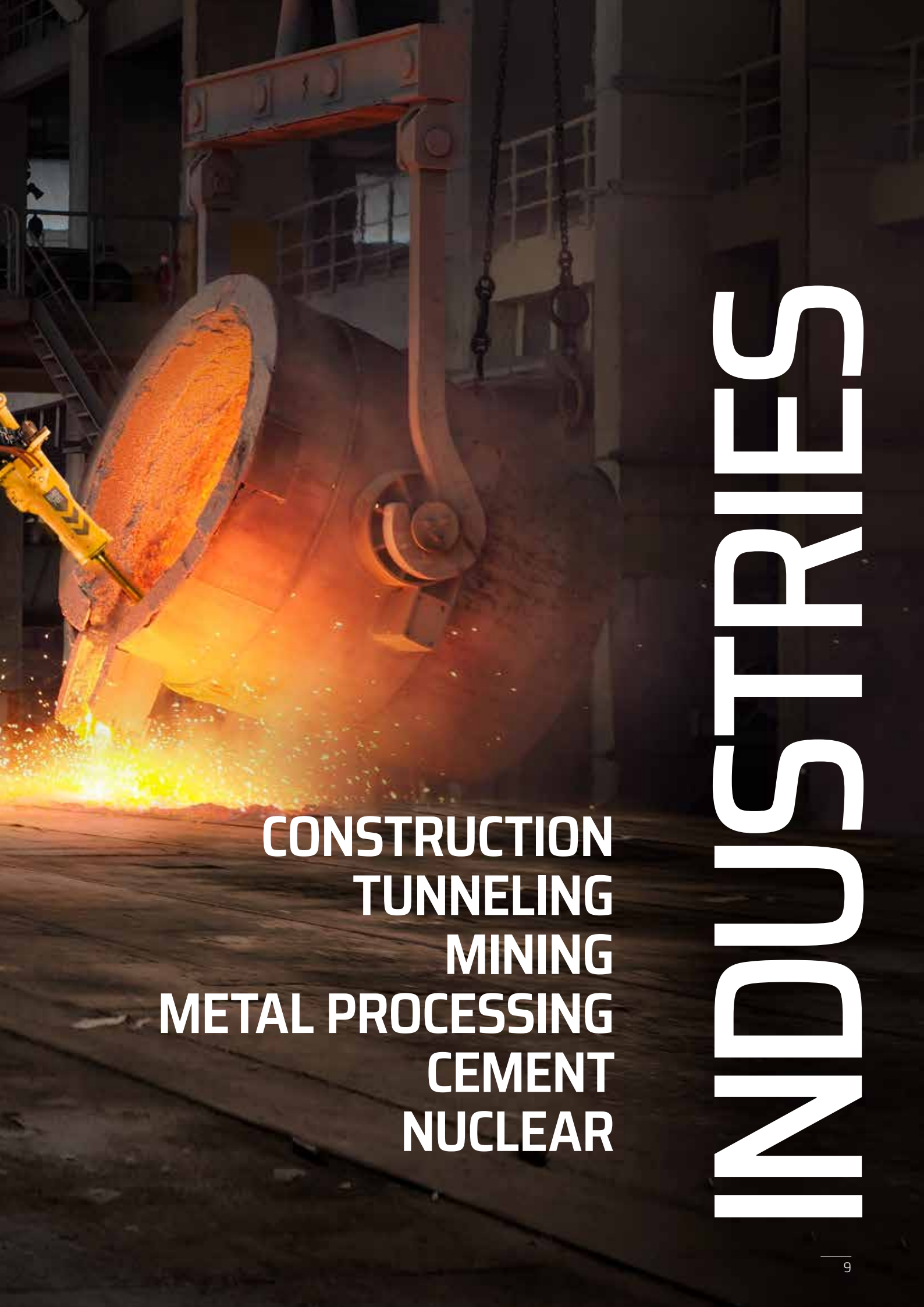
Find out more about Brokk Uptime™ on page 62-67.





The everyday wonders of Brokk. Brokk helps you to increase efficiency and uptime and enhance safety and operator ergonomics in six important industries. Everything from precision maintenance work to demanding or hazardous power demolition. With over 40 years of experience, we know what it takes. An impressive range of attachments and machine models makes it easy to find the perfect match for any type of job. So yes, there is a smarter way. And it's remote-controlled.





**CONSTRUCTION
TUNNELING
MINING
METAL PROCESSING
CEMENT
NUCLEAR**

INDUSTRIES

CONSTRUCTION

**Fast and Agile.
Safe and
Ergonomic. Brokk
Gives You More
Power in a Smaller
Package.**



Construction demolition involves a wide range of jobs, from bathroom renovation to tearing down thick, reinforced concrete walls. The Brokk machine easily outperforms traditional demolition methods like concrete sawing, handheld tools and excavators. Not only due to the raw demolition power of the Brokk, but also because the compact size provides easy access to the heart of the job site. Once in place, the Brokk robot can finish the job in a fraction of the time of other methods.

Brokk machines are specially designed for confined spaces. The three-part arm system provides extraordinary flexibility and reach, and can be equipped with a variety of powerful attachments. When equipped with a crusher, the quiet, electric-powered hydraulics allow you to work during business hours or in areas with noise restrictions. What's more, there are no exhaust fumes and less dust and vibration than with traditional methods. Cutting and coring usually requires water, which needs to be managed. With the Brokk method, this is not an issue.

Because the Brokk is so light and agile, it works in places where most other machines won't fit. The Brokk will easily climb over debris or up a staircase. Or if you don't like walking up stairs, you can take the compact and light-weight Brokk machine floor-to-floor in an elevator.



Brokk 160 with breaker, USA.



Brokk 160 with breaker working in the business district in Paris, France.

Brokk 500 with breaker, Madrid, Spain.



»»
Brokk applications at a construction site. Everything is possible.

»»
Brokk 160 and **Brokk 100** working at a large construction site in Stockholm, Sweden.

Brokk 100 with breaker and drill, working at a site in the UK.



Demolishing ceiling with **Brokk 100** and crusher, Turkey.

Brokk 160 cutting steel structures in Switzerland.

REASONS TO CHOOSE BROKK IN THE CONSTRUCTION INDUSTRY

- FASTER AND CHEAPER THAN CUTTING AND CORING AND FAR MORE EFFICIENT THAN JACKHAMMERS
- MORE POWERFUL AND FLEXIBLE THAN EXCAVATORS
- SAFE REMOTE CONTROLLED DEMOLITION
- ENABLES SILENT DEMOLITION
- MANY DIFFERENT ATTACHMENTS MEANS THE BROKK WILL ALWAYS FIND JOBS

The Preferred Tunneling Tool from Ground Zero, via the Swiss Alps to Down Under.



Tunneling applications present a wide range of opportunities for the high power and compact profile of a Brokk machine. Brokk robots are the ideal work method for utility tunnels, such as cable and water tunnels, and for tunnel enlargements. And in larger tunnels, Brokk machines are the preferred tool for cross passages, substations, safety niches, shaft sinking and lining renovation. That's why you see them on road, rail and subway tunnel projects all around the world.

A Brokk machine brings the perfect combination of power and accessibility to areas where space limitations make it impossible or impractical to use a larger machine. Remote-controlled operation, small size and extraordinary flexibility and reach provide incredible access and capability in confined spaces without sacrificing power.

The ability to use heavy duty attachments normally recommended for much heavier excavators makes the Brokk perfect for the tunneling industry. For example, a Brokk 500 (weighing just over 5 tons) with an almost 700 kg breaker gives you an unparalleled power-to-weight ratio, outperforming excavators up to five times as big. And if that still isn't enough, there is always the Brokk 800 with its 1,200 kg breaker to do the job.

With a wide range of attachments, the Brokk machine easily handles a full range of tasks such as drilling, rock breaking, excavating, scaling, rock splitting, removal of debris, and even shot-creting. The Brokk robot is really one machine for all tasks, which will save on both machine investment costs and set up times at the work site. Whether the job is below the sea, on the ground or at thousands of feet in altitude, a Brokk delivers where other machines cannot.



Brokk 400 with beam grapple in China.



»»
Excavating safety niches.
Brokk 330 with a drum cutter in Paris, France.

»»
Brokk 500 with Darda rock splitter, Norway.



Brokk 400 with breaker developing cross passages on the Sydney Metro Northwest project in Australia.

Brokk 800 with breaker working in the Hong Kong metro.

Brokk 800 with breaker developing safety niches in Switzerland.



Brokk 160 with breaker excavating cross passages in Doha, Qatar.

Brokk 160 with rock drill in Doha, Qatar.

REASONS TO CHOOSE BROKK IN THE TUNNELING INDUSTRY

- REPLACING OVERLAPPING MACHINES AT YOUR JOBSITE AS IT CAN BE EQUIPPED WITH SEVERAL ATTACHMENTS
- POWERFUL BUT EXTREMELY COMPACT FOR TIGHT UNDERGROUND SPACES
- ELECTRIC POWERED WITH NO FUMES
- REMOTE CONTROLLED FOR SAFE OPERATION
- ROBUST FOR UNDERGROUND WORK

Power, Increased Safety and a Wide Range of Attachments Takes Mining to a New Level.



Below ground, the advantages of smaller machines become abundantly clear. Compact Brokk machines provide the same breaking capacity as larger, traditional mining machines. In addition, one Brokk machine can perform a variety of tasks, such as scaling, breaking, digging, drilling, secondary breaking, bottom shaft cleaning, and much more.

Thanks to remote, radio-controlled handling, the operator can manage the job from a safe, comfortable position with no risk of injury from falling debris. The electric motor provides strong, quiet power with no exhaust fumes or other hazardous pollutants or vibration. Load-balanced outriggers provide excellent machine stability in all working directions while the sturdy track system and well-protected cylinders make the Brokk extremely durable and easy to maintain.

Above ground, the Brokk machine proves its value in the processing of material, when used in the maintenance of kilns, crushers etc. Typical applications include refractory removal and rock breaking. So above ground or below ground, Brokk is the preferred choice for many mines.



Brokk 400
working in a
shaft.



Brokk 160 working
in a narrow mine in
South Africa.



Brokk 260 with
breaker in a talc mine
in Italy.

Drilling in narrow space.
Brokk 90 with
drill in South Africa.

Brokk 400 S
working in a
platinum mine in
South Africa.

Brokk 800 with drilling
attachment working in
Sweden.



REASONS TO CHOOSE BROKK IN THE MINING INDUSTRY

- POWERFUL WHILE EXTREMELY COMPACT FOR TIGHT UNDERGROUND SPACES
- MULTI ATTACHMENTS MEANS MANY JOBS WITH ONE MACHINE
- ELECTRIC POWERED WITH NO FUMES
- REMOTE CONTROLLED FOR SAFE OPERATION
- ROBUST FOR UNDERGROUND WORK
- IDEAL FOR NARROW MINING

Controlled Tough Debricking and Slag Removal. True Maintenance Power When the Heat is on.

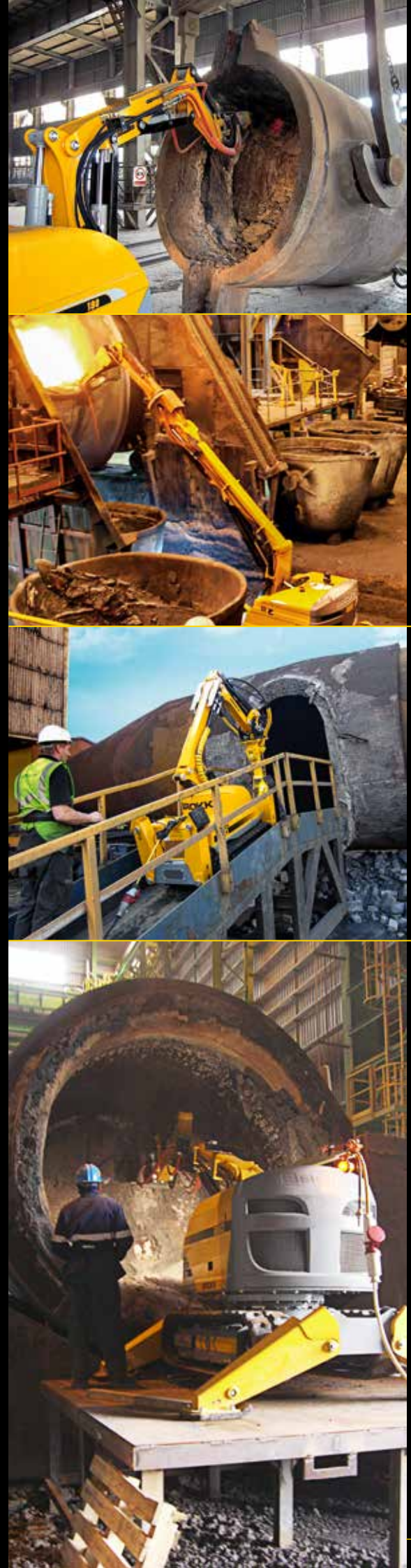


Brokk machines' main task in the metal process industry is to reduce the plant shut down time and yet maintain safety for the workers involved. Anywhere there is refractory or slag there is work for Brokk robots. Thanks to the machine's flexible design, it can be used for many applications within one plant.

Whether you need more power or precision for cleaning a ladle, EAF, torpedo car, BF runner, converter mouth, tundish or blast furnace, you can trust Brokk to get the job done. Remote-controlled precision and tough durability make these machines the ideal tool for the high quality demolition work required in the process industry. The precise movements of the machines make it no problem to demolish the work lining without damaging the safety lining for example.

Brokk machines combine compact design with optimum power to provide easy access and fast, efficient performance. The small size makes it possible to enter areas where no other machine can, and replace manual labor. The heat resistance options enable you to start the job earlier while minimizing risks for any breakdown. Since the operator controls the Brokk remotely, he can choose a working position that's safe, comfortable and allows for the best possible view of the job.

The strong, three-arm system handles a wide range of powerful attachments and allows for exceptional reach and power in all directions. And all this flexibility comes with the Brokk machine's proven performance record, ensuring that you can break and remove material without fear of damaging the machine.



Ladle cleaning. **Brokk 180** with breaker in ferroalloy plant.

Copper converter mouth cleaning with **Brokk 800** and a specially designed heat-protected breaker in Sweden.

Brokk 100 with breaker working in a torpedo car.

Brokk 100 easily enters the torpedo car.

Furnace mouth cleaning with **Brokk 160** and breaker.

Ladle cleaning with **Brokk 260** and breaker.



REASONS TO CHOOSE BROKK IN THE METAL INDUSTRY

- REDUCE PLANT SHUT DOWN TIME
- EFFICIENT AND SAFE WAY TO REMOVE SLAG AND REFRACTORY
- REMOTE CONTROLLED FOR SAFETY AND OPTIMAL VIEW OF THE WORK
- ACCESS TO AREAS NO OTHER MACHINE CAN ENTER
- HEAT RESISTANT
- MULTIPLE APPLICATIONS MEANS ONE MACHINE HAS MANY USES IN ONE PLANT

CEMENT

Easy Access, Maximum Efficiency and Operator Safety. Concrete Brokk Advantages.



Demolishing coating and brick linings is a job the Brokk machine was born to do. There's simply no faster or safer method. The compact design makes access easy, while the remote control makes the work safe and quick. The operator can choose the best position for viewing the work, and since he's not bothered by vibrations, fumes or the risk of collapsing material or hot coating, he's much more efficient.

With excellent stability in all directions and easily adjustable breaker frequency, the Brokk ensures precise operation without shell or lining damage. The three-part arm system provides flexibility and reach and allows for less repositioning and ideal breaking angles for the machine compared to conventional excavators.

In an industry where every hour a kiln is down means a loss of profitable production, investing in a Brokk can pay for itself with the very first refractory tear-out. Since the Brokk can be equipped with heat resistant options and well-protected cylinders and components, you can start the job earlier without risking breakdown due to heat. This reduces plant downtime and increases the plant's profit.



Brokk 400 with a breaker tearing out bricks in the Middle East.

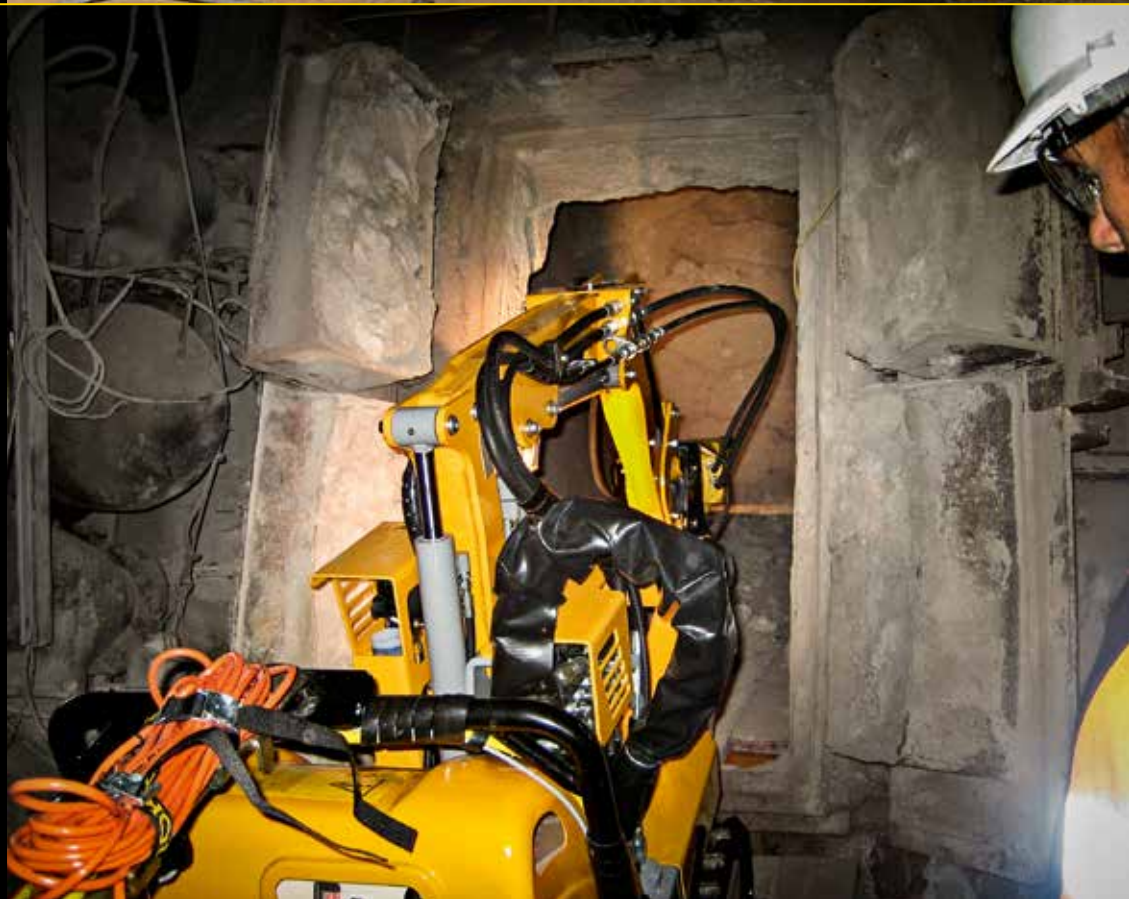
Breaking out brick lining.
Brokk 330 with breaker in Gotland, Sweden.

Brokk 160 with breaker tearing down coating in Turkey.



Breaking out coating.
Brokk 90 with breaker.

Entering a kiln inlet section with a **Brokk 50**.



REASONS TO CHOOSE BROKK IN THE CEMENT INDUSTRY

- REDUCE PLANT SHUT DOWN TIME
- EFFICIENT AND SAFE WAY TO REMOVE COATING AND REFRACTORY
- REMOTE CONTROLLED FOR SAFETY AND OPTIMAL VIEW OF THE WORK
- HEAT RESISTANT
- RELIABILITY FOR TOUGH ENVIRONMENTS

Extraordinary Power and Reliability for Extraordinary Jobs.



Some projects call for a special solution. At Brokk, we offer a proven combination of design, engineering and service that can tackle almost any challenge. From consulting to mock-ups; from operator training to maintenance; from start-up to final testing, we leave nothing to chance when it comes to perfecting the performance of our machines. And since the Brokk is built for adaptability, our engineers can customize the machines to meet your specialized needs.

It's hard to think of an environment where remote control is more critical than at a nuclear site and for nuclear decommissioning work. Here, Brokk technology has reached its highest level, enabling camera operation with remote video monitors. Through a partnership with Ahlberg Cameras, Brokk machines can now be equipped with the market's leading radiation tolerant camera systems. In this extraordinary environment, dangerous tasks like demolishing, removing, sorting and containerizing radioactive waste are all in a day's work for a specially equipped Brokk. We have more than 30 years of experience in nuclear projects, and a large number of machines delivered to the nuclear industry in the US, UK, France, Germany, Belgium, Sweden, Japan, China and elsewhere.

All Brokk machines come with unique features you won't find in typical demolition equipment: remote-controlled handling, heat resistant design, flexible three-arm system with exceptional reach and strength, and an electric motor for powerful, quiet, fumeless operation. And it gets into places where people or other machines can't go. All this comes together with the reliability built into the machines after delivering more than 7,000 machines into harsh and unforgiving environments for over 40 years.



Brokk 330 with breaker demolishing a hot cell behind acrylic glass.



Brokk 330M with a steel shear cutting and sorting radioactive waste (after more than 10,000 hours) in USA.

Brokk 160 with concrete planer.

Brokk 100 with cameras and other accessories.



Dismantling nuclear equipment. **Brokk 330** with cut off saw.

REASONS TO CHOOSE BROKK IN THE NUCLEAR INDUSTRY

- REMOTE CONTROLLED
- CAN BE REMOTELY OPERATED VIA MOUNTED CAMERAS
- MULTI ATTACHMENTS CARRIER
- RADIATION TOLERANT
- CUSTOMIZABLE FOR THE SPECIFIC TASK
- PROVEN RELIABILITY IN TOUGH ENVIRONMENTS

Brokk 330M with a steel shear cutting and sorting radioactive waste.





PRODUCTS

The Brokk family continues to grow both in range and performance-enhancing features. This means that no matter what demolition project you are involved in, there is a Brokk solution that can help you finish the work faster, safer, and more profitably. The Brokk concept has proven itself over and over again. Now this winning formula comes with an even greater range of machines and attachments.

The Brokk Principle: Strength is in the Details.

Brokk robots are built to last. The key characteristic engineered into every part and every detail is the ability to withstand countless hours of tough work. To guarantee the highest quality and performance, over 80% of the machines' components are custom made specifically for Brokk. It means more time and expense in building the machine, but the results speak for themselves: Brokk robots last over time, and retain their value.

WIDE RANGE OF TOOLS

A whole range of tools, many specifically designed for Brokk. Patented quick-hitch for fast and easy tool changing.

THREE-ARM SYSTEM

A strong and flexible solution that allows for extraordinary reach and power in all directions, providing maximum precision and accuracy.

REMOTE CONTROLLED OPERATION

Maximizes efficiency while keeping the operator safe from harmful vibrations and dangerous areas.

DEMOLITION POWER

Despite its compact size, Brokk machines can outperform excavators five times as big.

NO EXHAUST FUMES

Electric powertrain means less noise, less pollution and less maintenance.

COMPACT AND MANEUVERABLE

Easy to maneuver and easy to transport. Gets through narrow spaces and climbs stairs.

OUTRIGGERS FOR STABILITY

Work with tools normally used on much bigger machines.

HEAT RESISTANT

From big cylinders to small components, everything is heat and impact protected.

PATENTED QUICK HITCH

Saves weight and enables fast and safe tool changes.



TECHNICAL ADVANTAGES

OUR EDGE



WIDE RANGE OF MACHINE MODELS

The widest range of demolition robots, with unique characteristics and countless options

BROKK SMARTPOWER™

Intelligent SmartPower™ maximizes power and minimizes downtime. A Brokk-exclusive electrical system takes power and reliability to new levels.

BROKK SMARTREMOTE™

Patented remote control designed for optimal real-life ergonomics and productivity. Professional radio technology with superior reach and reliability.

BROKK SMARTDESIGN™

Designed for superior functionality and uptime. Regular maintenance without lifting a cover, smart design features to increase productivity and withstand damage.

SUPERIOR STABILITY

Track design and load balancing outriggers that maximize stability and safety.

RELIABILITY

Built to last in tough conditions, based on over 40 years of engineering

UNBEATABLE COOLING CAPACITY

Designed for hard work in hot environments with constant oil temperature.

RIGHT CONFIGURATION FOR THE APPLICATION

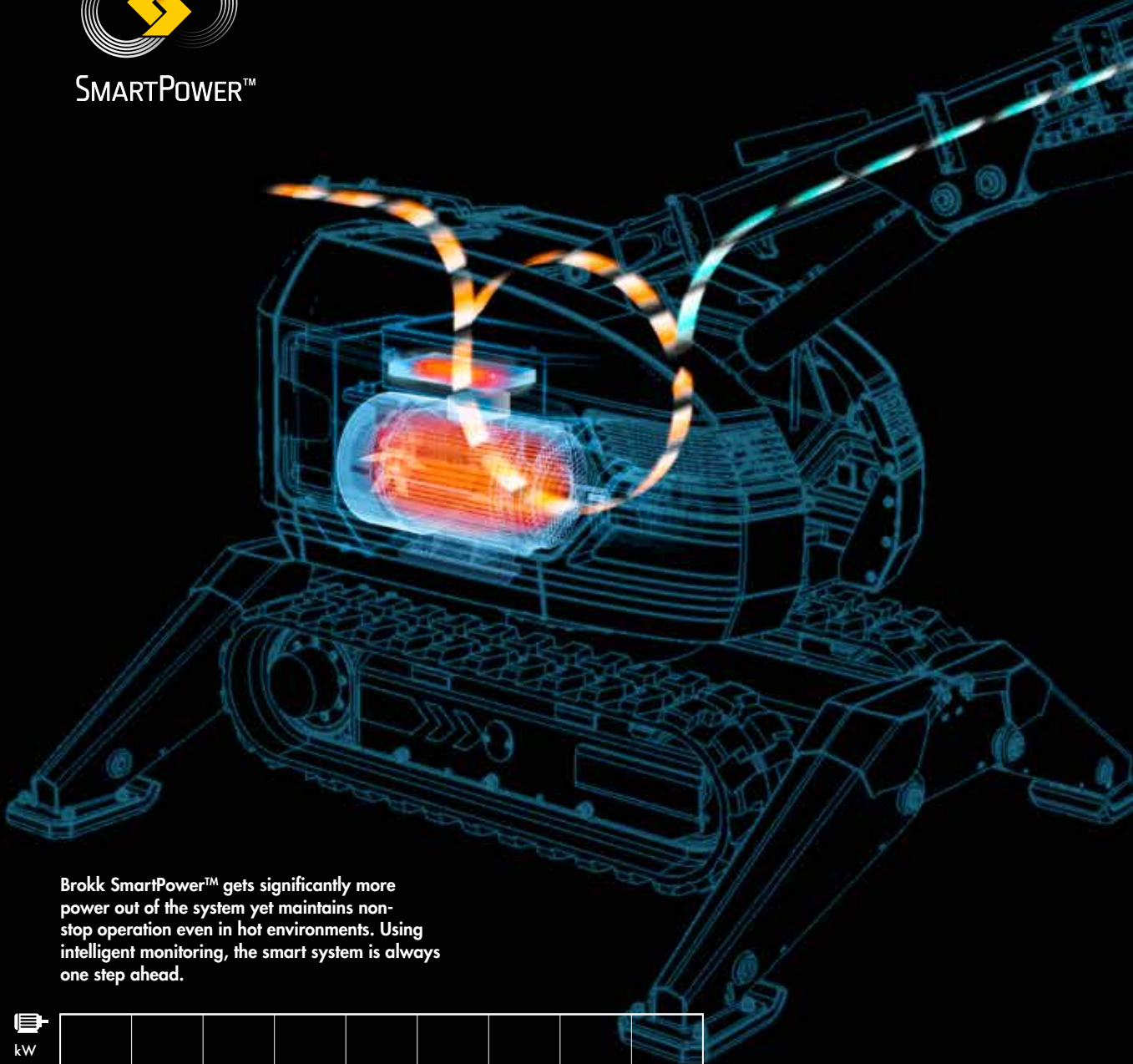
Wide range of options to fit your specific application.

SMART POWER™

BROKK

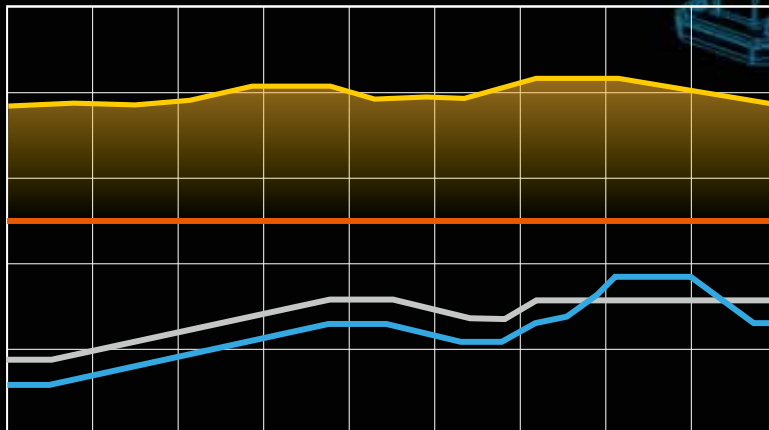


SMARTPOWER™



Brokk SmartPower™ gets significantly more power out of the system yet maintains non-stop operation even in hot environments. Using intelligent monitoring, the smart system is always one step ahead.

kW



- Brokk with SmartPower™
- Conventional machines
- Oil temperature
- Motor temperature



SmartPower™: Dynamic Power Control for Optimized Efficiency



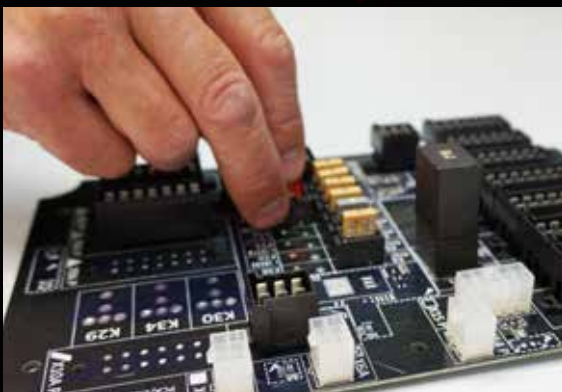
With Brokk SmartPower™, you get the world's most intelligent power system, designed specifically for heavy duty demolition machines. The secret lies in a system that offers increased power through a smart control system and a hardened electrical design – maximizing production while minimizing downtime.

It is the answer to the seemingly impossible equation of making machines more powerful than ever and yet so compact and lightweight that they can access the tightest confined spaces and still be robust enough to withstand harsh treatment in hazardous environments. Brokk SmartPower™ outsmarts the limitations. The all-new intelligent power management introduces a unique electric powertrain that increases the output in any given size of power pack by 50% or more.

In addition, the smart monitoring makes the Brokk machine well-suited to work in environments with generators or potentially unreliable power supply. The intelligent system senses if the power supply is poor or faulty, compensates for it as much as possible and then protects the components before any harm is done.

Brokk SmartPower™ also gives you unparalleled reliability with its unique design and smart modifications of key components. Compared to a traditional system, internal cabling and contacts are reduced to an absolute minimum (a 70 percent reduction). With no moving parts in the electrical system and components designed to withstand extreme vibrations, dust and rough handling, the system is designed for the working conditions of a demolition robot.

All in all, Brokk SmartPower™ not only gives you more power. It increases the uptime and availability of the machine and extends the lifetime of both the electric and hydraulic system.



Innovative design With Focus on Performance and User Friendliness



We know. It is tough out there. That's why Brokk's new machine design focuses on facilitating the operator's everyday handling of the machine. To maximize uptime. To facilitate service and maintenance. To create a trouble-free and productive experience throughout the entire product lifetime.

That's why all daily and weekly maintenance can be carried out without lifting a machine cover. That's why all greasing points, including the breaker grease refill, are easily accessed from the outside. That's why we eliminated the need for regularly tightening shafts that are hard to reach. That's why we have made it so easy to service the machine in the field, and why hose replacement on a Brokk machine is made easy. And that's why outrigger hoses are divided into two so only a short section needs replacement if damaged by rebar or other debris.

When you choose Brokk, the advantages are built-in.



Brokk is more than meets the eye. In every smart design feature, we thought of ways to make your work day easier and the machine better. Design that protects, facilitates and simplifies.



Without doubt, the most ergonomically-friendly and efficient way to operate a demolition machine is to choose a working position away from vibrations, heat and debris, and still have a perfect view of the situation. All this is possible with the unique Brokk SmartRemote™.

Yes there are other remote-controlled solutions. But all remotes are not created equal. Brokk's control is industry-leading in its ergonomic design and its features that make the operator more productive. We have thought of every detail: The professional radio technology provides reliable and fast connection with the machine. A patented waist harness shifts weight to where it belongs, relieving stress on shoulders. Short joysticks allow operators to rest their arms on the remote control, reducing strain. Intuitive controls allow operators to focus on the work, without the need to look at the remote for operation.

At Brokk, we know that the machine and the operator work as a team. That's why we designed a remote control system that helps the operator stay productive even at the end of a long work shift and helps him stay healthy over the long term. Simply put, a smart remote that helps the operator match the unparalleled capacity of the Brokk machine.



Ergonomics is one of many advantages with remote controlled demolition. Brokk takes this one step further with SmartRemote™, improving operator comfort and productivity. A special harness redistributes pressure from the shoulders to the hips, thus reducing fatigue and back problems.



BROKK 60^{II}



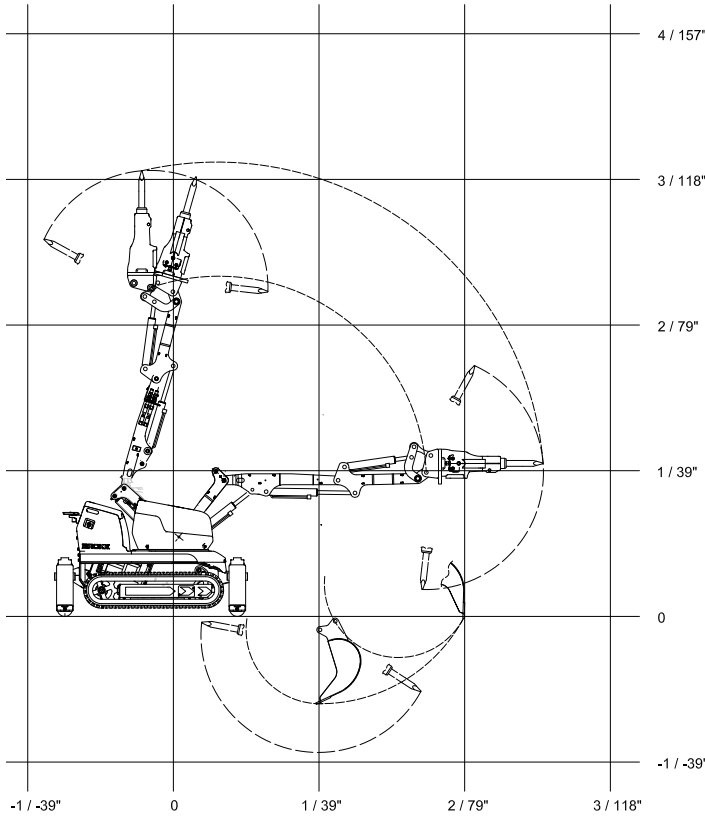
More Power in Minimal Spaces

The **BROKK 60^{II}** is the perfect solution for safe, efficient demolition in very confined spaces. Its combination of small size and lightweight power works wonders in places where it was previously impossible to do mechanized demolition work. Compared to its older brother, the Brokk 50, the 60^{II} boosts productivity by 25% with a stronger breaker, faster movement, new control system and smaller profile. The low weight makes it ideal for indoor work on weak floors, and it can be transported in an ordinary passenger elevator.

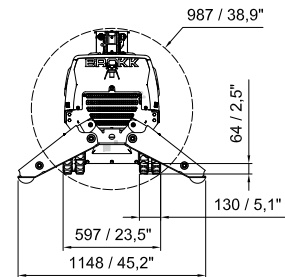
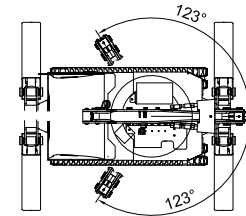
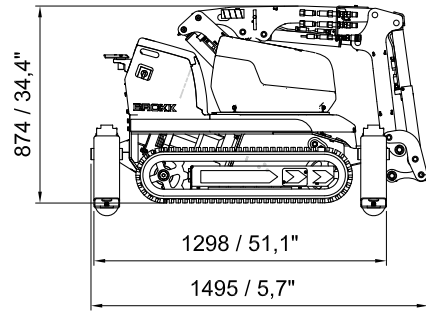
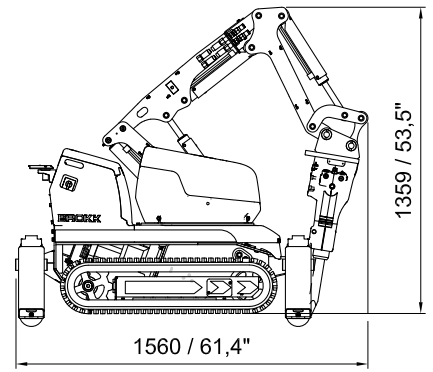
- The smallest remote-controlled demolition robot in the world
- Outperforms 5-10 people with jackhammers
- Brokk SmartRemote™
- Operates on just 16 A electrical fuse
- Access through even the smallest of doorways

m / in

RANGE



SIZE



TECHNICAL DATA

Hydraulic breaker in illustrations BHB 55
 Load and stability diagram available on request

Performance

Slewing speed 6,5 sec/245°
 Transport speed, max. 2,5 km/h; 1.6 mph
 Climbing inclination, max. 30°

Hydraulic system

Hydraulic system capacity 27 l; 7.1 US gal
 Pump type Gear pump with fixed displacement
 System pressure 18 MPa; 2 610 psi
 Pump flow max. 50Hz and 60Hz 22 l/min; 6 US gal/min

Power system

Electric motor type ABB
 Motor rating* 5,5 kW
 Rated current* 14 A
 Power consumption* 0.6 kW
 Starting device Direct start

Control system

Control type SmartRemote, portable control
 Signal code Digital
 Transfer Professional radio/Cable
 Range, radio Up to 300 m

Weight

Machine weight** 500 kg; 1 102 lb
 Recommended attachment weight 80 kg; 176 lb

Noise level

Sound power level L_{WA} *** 90 dB(A)

*Valid for 400V/50Hz and 440V/60Hz
 **Excluding options and attachment
 ***Measured according to directive 2000/14/EC, excl. attachment

OPTIONS

Arm System

Impact and heat protection for cylinder C2 and C3

Other options

Extra hydraulic function
 Forced draft cooling

TOOLS



BROKK 110

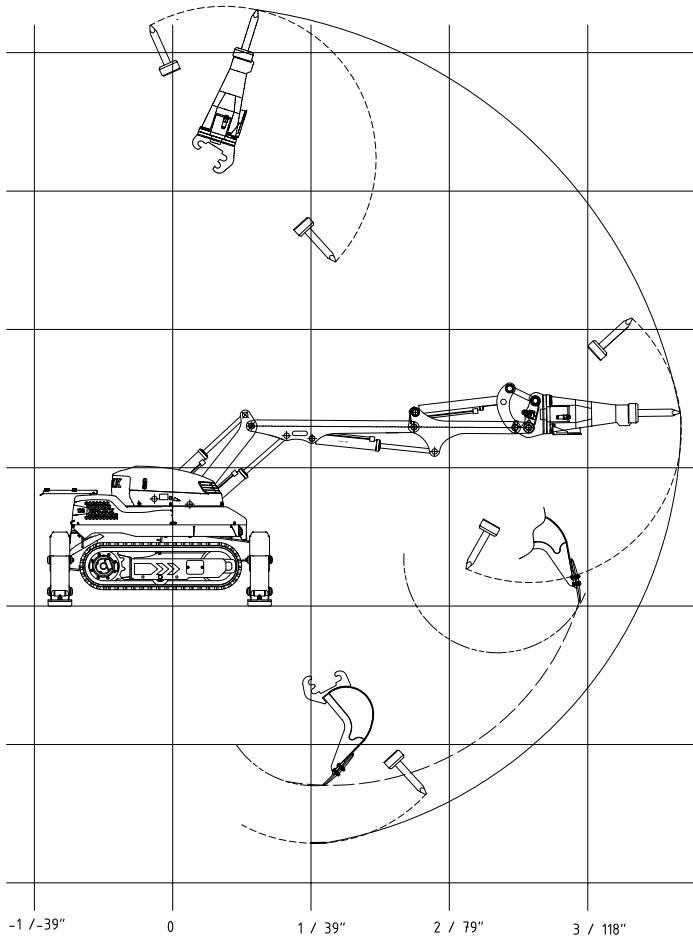


Stronger, Smarter, Tougher

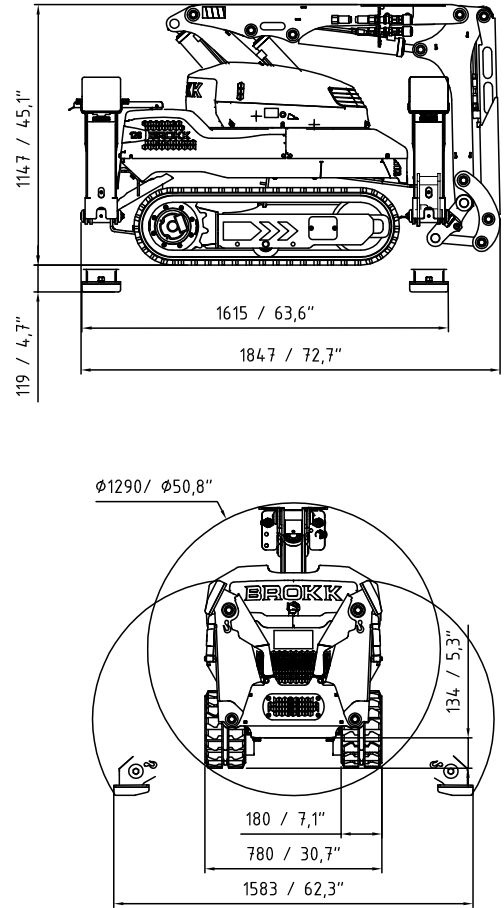
THE BROKK 110 is the new generation of demolition robots. With 15% more power than the Brokk 100 (and a whopping 50% more power than the Brokk 90), the new Brokk SmartPower™ electrical power system and the reinforced Brokk SmartDesign™, it's built to face almost anything. It is extraordinarily versatile in tight spaces, with its industry-leading compact size. It folds up into a surprisingly compact package that can climb stairs, fit in an elevator and be carried on a small truck or trailer. It's the perfect solution in a wide variety of residential, commercial and industrial environments. A demolition robot that's stronger, smarter and tougher.

- Most compact and powerful machine of its size
- 19,5 kW Brokk SmartPower™ electrical system
- Brokk SmartDesign™ and SmartRemote™
- Operates on both 16 A and 32 A fuses
- Real 360 degree working radius

RANGE



SIZE



TECHNICAL DATA

Hydraulic breaker in illustrations BHB 155
Load and stability diagram available on request

Performance

Slewing speed 10 sec/360°
Transport speed, max. 2,5 km/h; 1.6 mph
Climbing inclination, max. 30°

Hydraulic system

Hydraulic system capacity 40 l; 10.6 US gal
Pump type Variable load-sensing
System pressure 18,0 MPa; 2 611 psi
Pump flow 50Hz 54 l/min; 14 US gal/min
60Hz 65 l/min 17 US gal/min

Power system

Power technology SmartPower
Electric motor type ABB
Power* 19,5 kW
Recommended fuse size* 32 A
Minimum fuse size (reduced power)* 16 A
Starting device Soft start/Direct start

Control system

Control type SmartRemote, portable control
Signal code Digital
Transfer Professional radio/Cable
Range, radio Up to 300 m

Weight

Machine weight** 990 kg; 2 183 lbs
Recommended attachment weight 160 kg; 353 lbs

Noise level

Sound power level L_{WA} *** 91 dB(A)

*Valid for 400V/50Hz and 440V/60Hz
**Excluding options and attachment
***Measured according to directive 2000/14/EC, excl. attachment

OPTIONS

Arm System

Impact and heat protection for cylinder C2 and C3

Undercarriage

Rubber caterpillar tracks
Steel caterpillar tracks

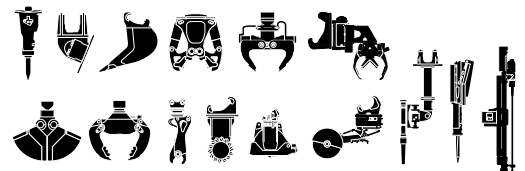
Heat resistance

Heat resistant hoses
Forced draft cooling of machine
Forced draft cooling of breaker
Steel pads for machines placed on hot ground

Other options

Air flushing through breaker to protect from dust
Water spray through breaker to bind dust
Extra hydraulic function
Drainage hose
CAN cable connection
Lifting eyes (regular lifting points are standard)

TOOLS



BROKK 120 D^{II}

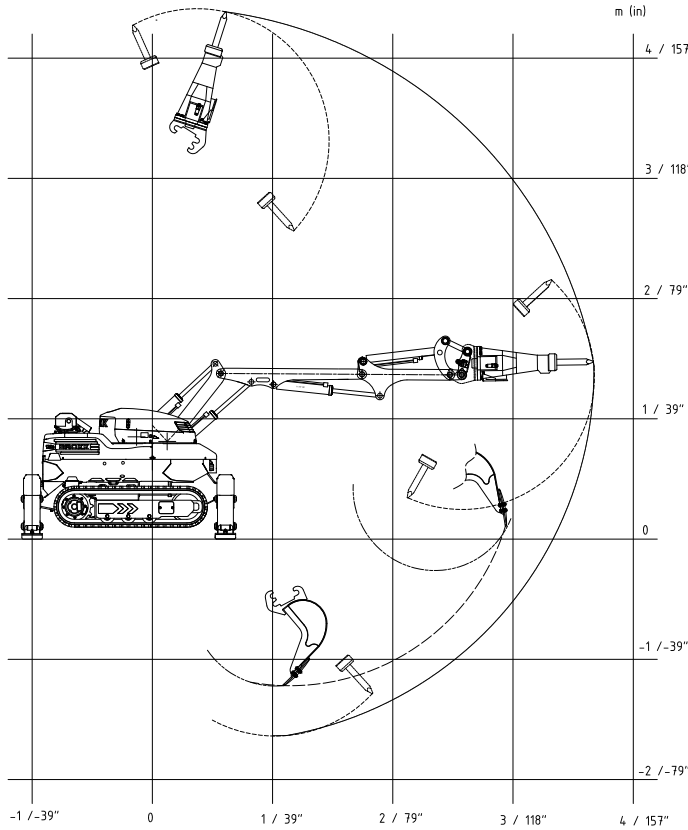


The Mark of Diesel-driven Excellence

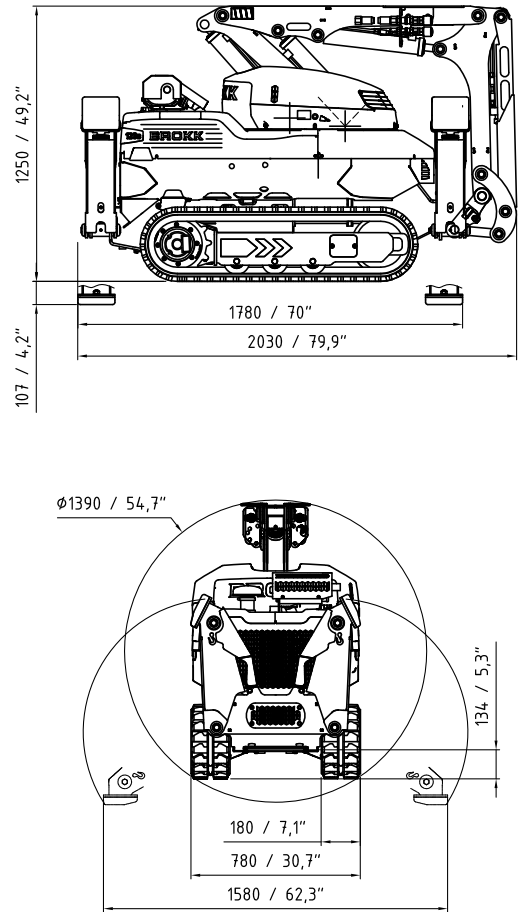
The world's smallest diesel-driven demolition machine, the **BROKK 120D^{II}** offers flexibility without compromise. Its small size enables it to enter through any standard door opening and makes it easy to maneuver in tight spaces. Running cordless, it can operate for a minimum of eight hours without refueling. The Mark^I version comes with the full Brokk SmartConcept – SmartPower™, SmartDesign™ and SmartRemote™. And it keeps the outstanding power and performance that make Brokk machines unique.

- World's smallest diesel-driven demolition machine
- Ideal for sites that lack reliable power supply
- Rugged and reliable Brokk SmartPower™
- Brokk SmartDesign™ and SmartRemote™
- Tool compatibility with Brokk 110
- Fast tracking speed for high mobility

RANGE



SIZE



TECHNICAL DATA

Hydraulic breaker in illustrations **BHB 155**
 Load and stability diagram available on request

Performance

Slewing speed 10 sec/360°
 Transport speed, max. 3 km/h; 1.9 mph
 Climbing inclination, max. 30°

Hydraulic system

Hydraulic system capacity 45 l; 12 US gal
 Pump type Gear pump with fixed displacement
 System pressure* 18 MPa; 2 610 psi
 Pump flow 50 l/min; 13 US gal/min

Diesel performance

Type Three-cylinder, water-cooled, 4-stroke engine
 Engine 18,5 kW; 24.8 hp diesel EPA Tier 4
 Fuel tank capacity 30 l; 7.9 US gal
 Engine oil volume 5,1 l; 1.35 US gal
 Coolant volume 4,4 l; 1.2 US gal
 Freezing point -40°C; -40°F

Control system

Control type SmartRemote, portable control
 Signal code Digital
 Transfer Professional radio/Cable
 Range, radio Up to 300 m

Weight

Machine weight** 1 230 kg; 2 712 lbs
 Recommended attachment weight 160 kg; 353 lbs

Noise level

Sound power level L_{WA} *** 101 dB(A)

*Hydraulic pressure can be increased depending on the attachment
 **Excluding options and attachment
 ***Measured according to directive 2000/14/EC, excl. attachment

OPTIONS

Arm System

Impact and heat protection for cylinder C2 and C3

Undercarriage

Rubber caterpillar tracks
 Steel caterpillar tracks

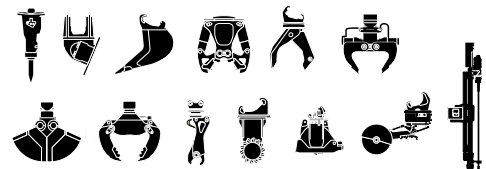
Heat resistance

Heat resistant hoses for hydraulic breaker
 Forced draft cooling of machine
 Forced draft cooling of breaker
 Steel pads for machines placed on hot ground

Other options

Air flushing through breaker to protect from dust
 Water spray through breaker to bind dust
 Extra hydraulic function
 Drainage hose
 CAN cable connection
 Lifting eyes (regular lifting points are standard)

TOOLS



BROKK 170

NEW 2018!

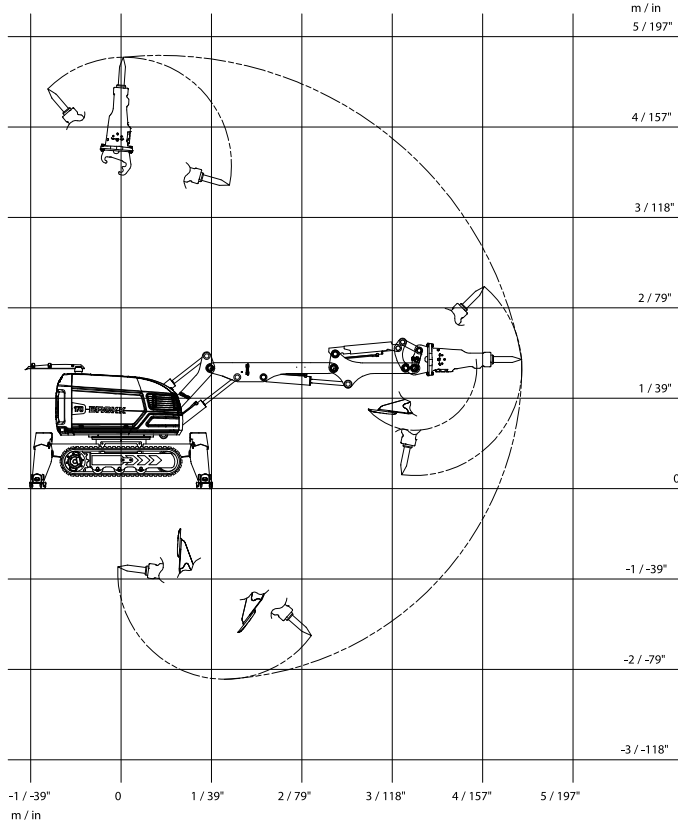


The Lean Mean Demolition Machine

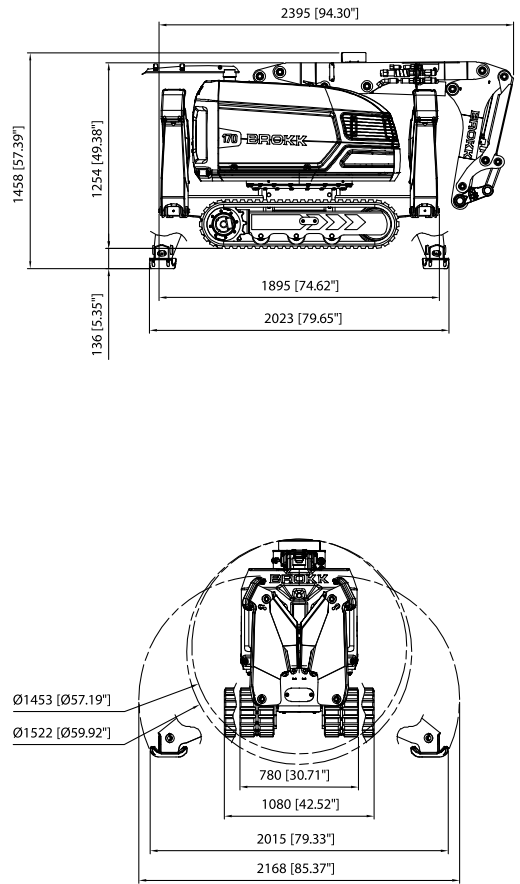
If you liked the Brokk 160 you'll love the **BROKK 170**. Taking the best from Brokk 160 and adding the full Brokk SmartConcept™ – the power of SmartPower™, the reliability of SmartDesign™, the ergonomics and productivity of SmartRemote™ – the Brokk 170 is the ultimate demolition machine for the construction industry. And don't let the size fool you. This new, lightweight machine gives you 15 % more power, packs a mean wallop with the breaker and brutal force with the crusher. Still, it's compact enough to get through standard door openings. A lean, mean demolition machine.

- New benchmark in breaker and crusher performance
- 24 kW Brokk SmartPower™ electrical system
- Brokk SmartDesign™ and SmartRemote™
- Can operate on 32 A fuse (and of course 63 A)
- Compatible with Brokk 160 attachments

RANGE



SIZE



TECHNICAL DATA

Hydraulic breaker in illustrations BHB 205
 Load and stability diagram available on request

Performance

Slewing speed 10 sec/360°
 Transport speed, max. 2,1 km/h; 1.3 mph
 Climbing inclination, max. 30°

Hydraulic system

Hydraulic system capacity 85 l; 22.5 US gal
 Pump type Variable load-sensing
 System pressure 18 MPa; 2 611 psi
 Increased pressure to attachment 25 MPa; 3 626 psi
 Pump flow 50Hz 69 l/min; 18 US gal/min
 60Hz 83 l/min; 21 US gal/min

Power system

Power technology SmartPower
 Electric motor type ABB
 Power* 24 kW
 Recommended fuse size* 63 A
 Starting device Soft start/Direct start

Control system

Control type SmartRemote, portable control
 Signal code Digital
 Transfer Professional radio/Cable
 Range, radio Up to 300 m

Weight

Machine weight** 1 600 kg; 3 527 lbs
 Recommended attachment weight 270 kg; 595 lbs

Noise level

Sound power level L_{WA} *** 87 dB(A)

*Valid for 400V/50Hz and och 440V/60Hz
 **Excluding options and attachment
 ***Measured according to directive 2000/14/EC, excl. attachment

OPTIONS

Arm System

Impact and heat protection for cylinder C2 and C3

Undercarriage

Rubber caterpillar tracks
 Steel caterpillar tracks
 Dozer blade

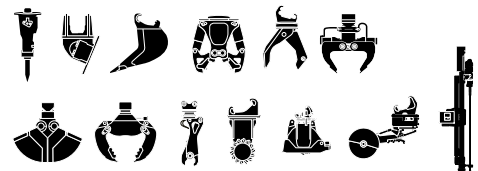
Heat resistance

Heat resistant hoses for hydraulic breaker
 Forced draft cooling of machine
 Forced draft cooling of breaker
 Steel pads for kiln demolition or furnace

Other options

Air flushing through breaker to protect from dust
 Water spray through breaker to bind dust
 Extra hydraulic function
 Drainage hose
 CAN cable connection for tools
 Lifting eyes (regular lifting points are standard)

TOOLS



BROKK 200

NEW 2018!

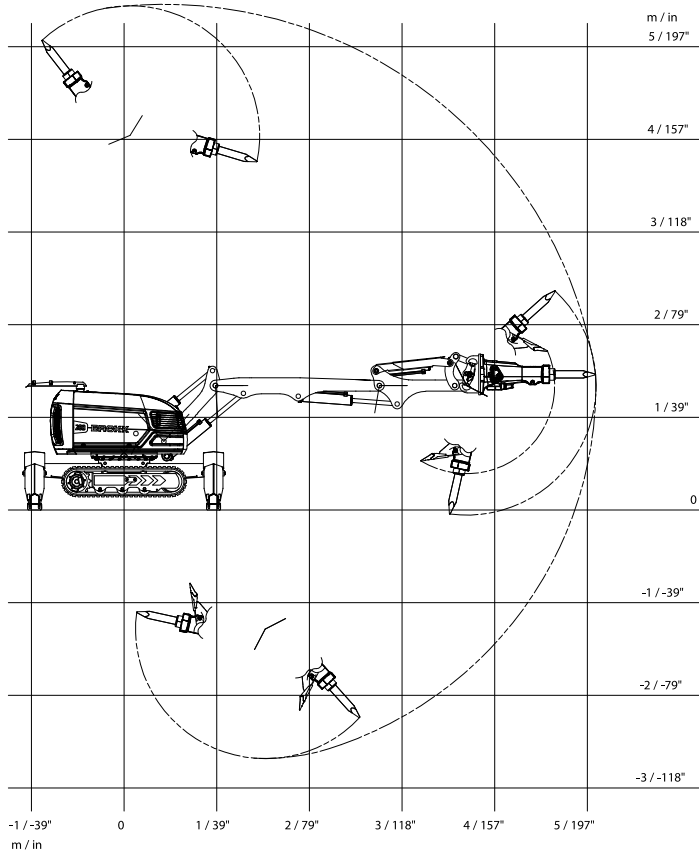


The Masterpiece of Muscle, Reach and Size

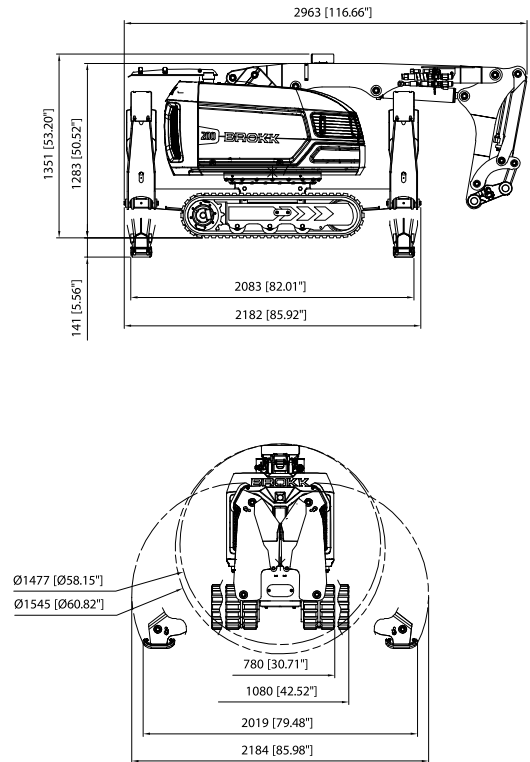
There is a new weight class in town. The all new **BROKK 200** breaks new ground, packing the power of the Brokk 280 into a 2,1 ton compact package. This 27,5 kW Brokk SmartPower™ machine carries tools one weight class above its size and brings the power to match it. Paired with the BHB 305 breaker or the all-new Darda CC480 crusher, it is a brutal demolition machine. And of course it comes with the new signature Brokk SmartDesign™ and SmartRemote™ capabilities.

- Demolition power of a 3 ton Brokk in a 2 ton package
- Exceptionally small footprint for its power and reach
- 27,5 kW Brokk SmartPower™ electrical system
- Brokk SmartDesign™ and SmartRemote™
- Built and optimized for heavy high-performance tools

RANGE



SIZE



TECHNICAL DATA

Hydraulic breaker in illustrations BHB 305
 Load and stability diagram available on request

Performance

Slewing speed 10 sec/360°
 Transport speed, max. 2,1 km/h; 1.3 mph
 Climbing inclination, max. 30°

Hydraulic system

Hydraulic system capacity 85 l; 22.5 US gal
 Pump type Variable load-sensing
 System pressure 18 MPa; 2 611 psi
 System pressure, increased to attachment, max. 25 MPa; 3 626 psi
 Pump flow 50Hz 85 l/min; 22 US gal/min
 60Hz 102 l/min; 27 US gal/min

Power system

Power technology SmartPower
 Electric motor type ABB
 Power* 27,5 kW
 Recommended fuse size* 63 A
 Starting device Soft start/Direct start

Control system

Control type SmartRemote, portable control
 Signal code Digital
 Transfer Professional radio/Cable
 Range, radio Up to 300 m

Weight

Machine weight** 2 100 kg; 4 630 lbs
 Recommended max. attachment weight 350 kg; 772 lbs

Noise level

Sound power level L_{WA} *** 87 dB(A)

*Valid for 400V/50Hz and 440V/60Hz
 **Excluding options and attachment
 ***Measured according to directive 2000/14/EC, excl. attachment

OPTIONS

Arm System

Impact and heat protection for cylinder C2 and C3

Undercarriage

Rubber caterpillar tracks
 Steel caterpillar tracks

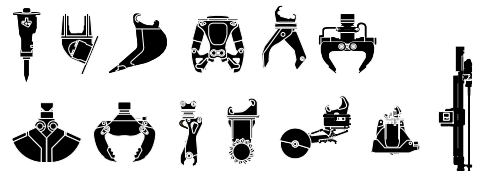
Heat resistance

Heat resistant hoses for hydraulic breaker
 Forced draft cooling of machine
 Forced draft cooling of breaker
 Steel pads for kiln demolition or furnace

Other options

Air flushing through breaker to protect from dust
 Water spray through breaker to bind dust
 Counterweight
 Extra hydraulic function
 Cable reel with 60 m cable
 Drainage hose
 CAN cable connection for tools
 Lifting eyes (regular lifting points are standard)

TOOLS



BROKK 300

NEW 2018!

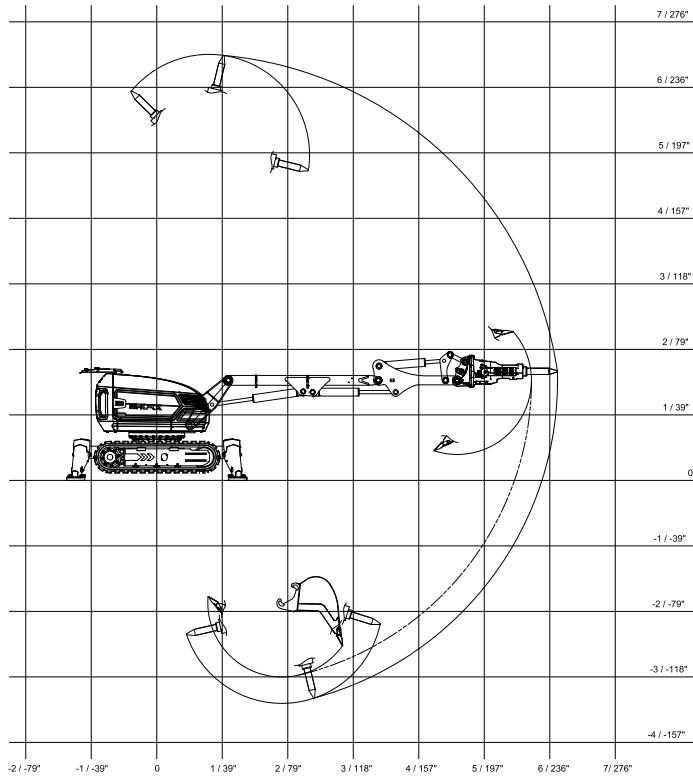


The Evolution of a Legend in Power and Performance

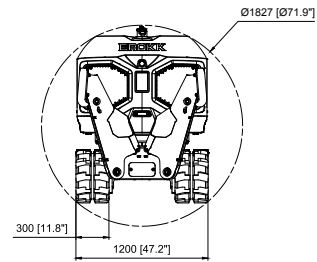
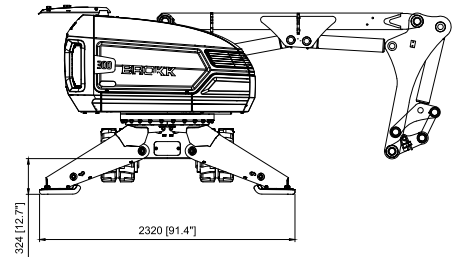
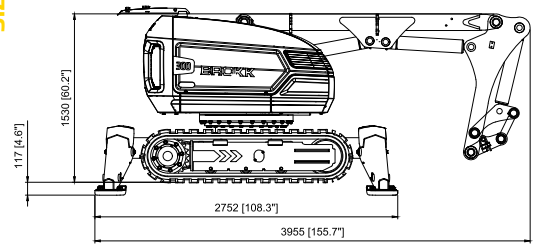
The all new **BROKK 300** is an impressive example of how quickly Brokk demolition robots evolve to meet the ever-increasing demands of the industry. This machine grew out of the legendary mid-sized Brokk machines, but Brokk SmartPower™ enabled it to take one big step up in power. Compared to its predecessor, the Brokk 300 brings a 40% stronger punch and it carries heavier and more powerful tools (BHB 455 and Darda CC580). With impressive power, reach and stability, this model is destined to become another legend in the industry.

- Outstanding all-around demolition versatility
- 37 kW Brokk SmartPower™ electrical system
- Brokk SmartDesign™ and SmartRemote™
- Heavier, more powerful tools
- Compatible with Brokk 280 attachments

RANGE



SIZE



TECHNICAL DATA

Hydraulic breaker in illustrations BHB 455
 Load and stability diagram available on request

Performance

Slewing speed 16 sec/360°
 Transport speed, max. 2,7 km/h; 1.7 mph
 Climbing inclination, max. 30°

Hydraulic system

Hydraulic system capacity 95 l; 25 US gal
 Pump type Variable load-sensing
 System pressure. 18 MPa; 2 611 psi
 Increased pressure to attachment 23 MPa; 3 336 psi
 Pump flow 50Hz 100 l/min; 26 US gal/min
60Hz 120 l/min; 32 US gal/min

Power system

Power technology SmartPower
 Electric motor type ABB
 Power* 37 kW
 Recommended fuse size* 63 A
 Starting device Soft start/Direct start

Control system

Control type SmartRemote, portable control
 Signal code Digital
 Transfer Professional radio/Cable
 Range, radio Up to 300 m

Weight

Machine weight** 3 650 kg; 8 047 lbs
 Recommended attachment weight 500 kg; 1 102 lbs

Noise level

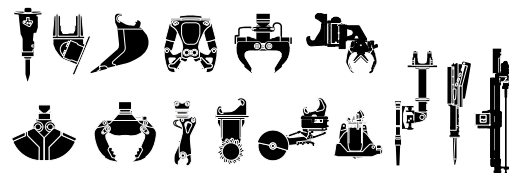
Sound power level L_{WA} *** 95 dB(A)

*Valid for 400V/50Hz and 440V/60Hz
 **Excluding options and attachment
 ***Measured according to directive 2000/14/EC, excl. attachment

OPTIONS

- Arm System**
Impact and heat protection for cylinder C2 and C3
- Undercarriage**
Rubber caterpillar tracks
Steel caterpillar tracks
- Heat resistance**
Heat resistant hoses for hydraulic breaker
Forced draft cooling of machine
Forced draft cooling of breaker
Steel pads for kiln demolition or furnace
- Other options**
Air flushing through breaker to protect from dust
Water spray through breaker to bind dust
Counterweight
Cable reel with 60 m cable
Extra hydraulic function
Drainage hose
CAN cable connection for tools
Lifting eyes (regular lifting points are standard)

TOOLS



BROKK 500

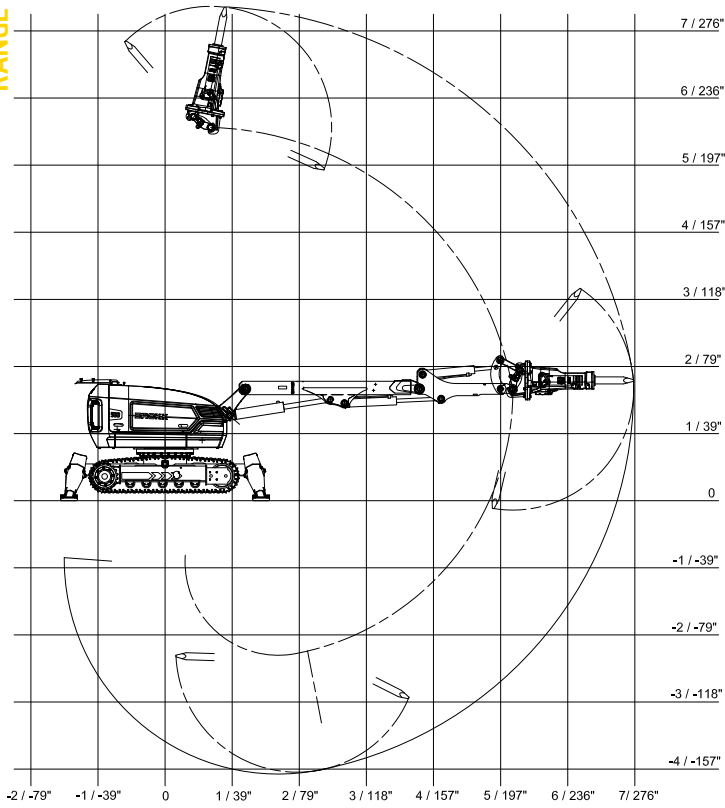


When More Really is More

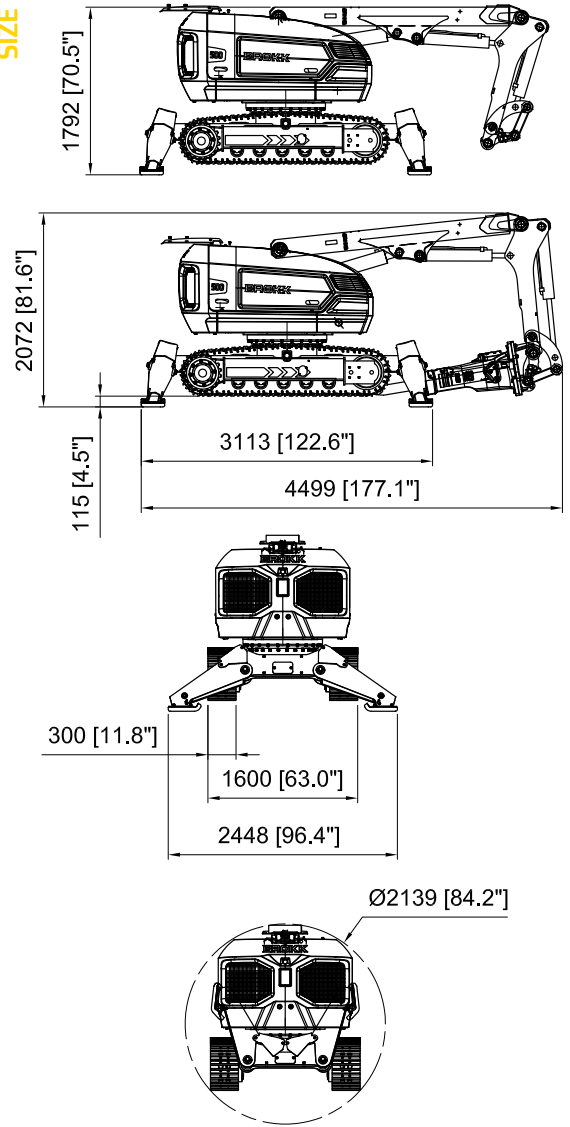
The new **BROKK 500** brings 40% more demolition power than its predecessor. And it provides the ability to size up the attachments, such as the powerful BHB 705 breaker. With the new reinforced design and additional work reach over the Brokk 400, while keeping about the same size and weight, it sets a new benchmark in power-to-size ratio in its segment. The Brokk 500 is equipped with Brokk SmartPower™ – an intelligent and hardened electrical system that increases the power output for maximum performance and industry leading availability over the lifetime of the machine. To top it off, the machine also adds the clever improvements of SmartDesign™ that will simplify the daily maintenance. In short – stronger, smarter and tougher!

- 40% more demolition power with the BHB 705 breaker
- Increased work reach and radius
- 41 kW Brokk SmartPower™ electrical system
- Brokk SmartDesign™ and SmartRemote™
- Compatible with all Brokk 400 attachments

RANGE



SIZE



TECHNICAL DATA

Hydraulic breaker in illustrations BHB 705
 Load and stability diagram available on request

Performance

Slewing speed 16 sec/360°
 Transport speed, max. 2,5 km/h; 1.6 mph
 Climbing inclination, max. 30°

Hydraulic system

Hydraulic system capacity 145 l; 38 US gal
 Pump type Variable load-sensing
 System pressure 18,0 MPa; 2 611 psi
 Increased pressure to attachment 24,0 MPa; 3 481 psi
 Pump flow 50Hz 115 l/min; 30 US gal/min
 60Hz 130 l/min; 34 US gal/min

Power system

Power technology SmartPower
 Electric motor type ABB
 Power* 41 kW
 Recommended fuse size* 63 A
 Starting device Soft start/Direct start

Control system

Control type SmartRemote, portable control
 Signal code Digital
 Transfer Professional radio/Cable
 Range, radio Up to 300 m

Weight

Machine weight** 5 200 kg; 11 464 lbs
 Recommended attachment weight 700 kg; 1 543 lbs

Noise level

Sound power level L_{WA} *** 100 dB(A)

*Valid for 400V/50Hz and 440V/60Hz
 **Excluding options and attachment
 ***Measured according to directive 2000/14/EC, excl. attachment

OPTIONS

Arm System

Impact and heat protection for cylinder C2 and C3
 Heavy duty arm 3

Undercarriage

Rubber caterpillar tracks
 Steel caterpillar tracks

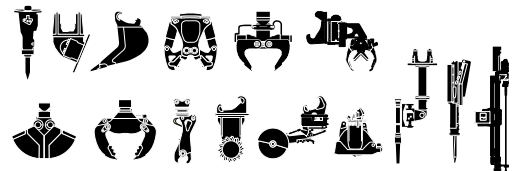
Heat resistance

Heat resistant hoses for hydraulic breaker
 Forced draft cooling of machine
 Forced draft cooling of breaker
 Steel pads for kiln demolition or furnace

Other options

Air flushing through breaker to protect from dust
 Water spray through breaker to bind dust
 Counter weight
 Cable reel with 60 m cable
 Extra hydraulic function
 Drainage hose
 CAN cable connection for tools
 Lifting eyes (regular lifting points are standard)

TOOLS



BROKK 520D

NEW 2018!

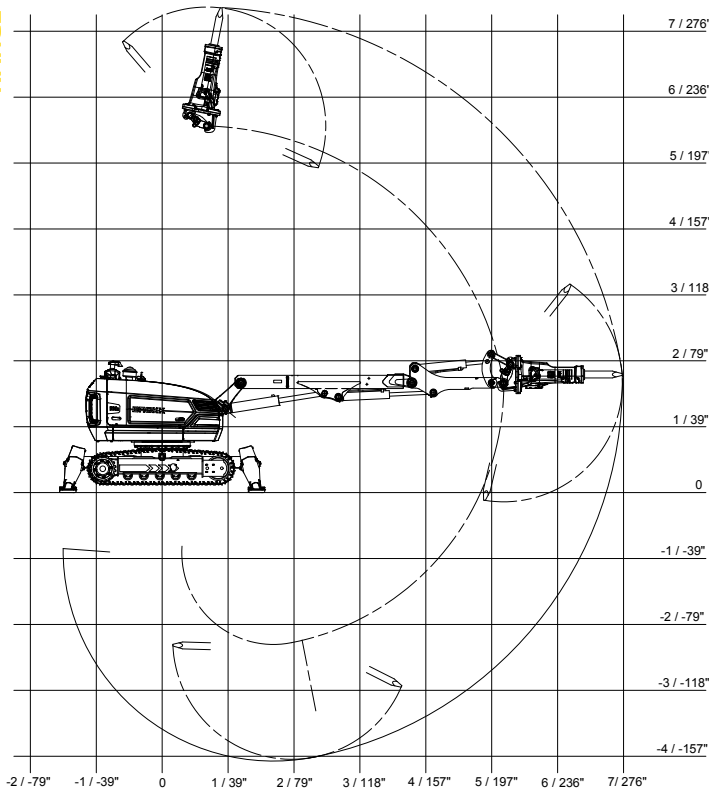


The Mean, Green Diesel Demolition Machine

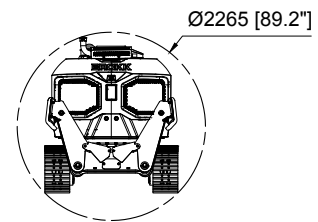
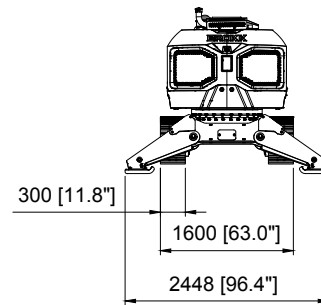
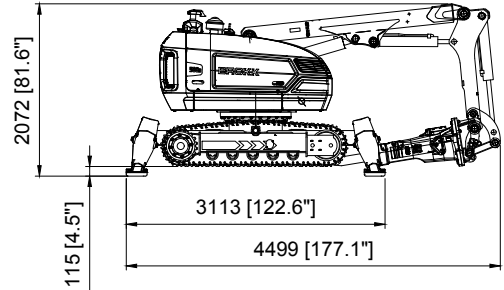
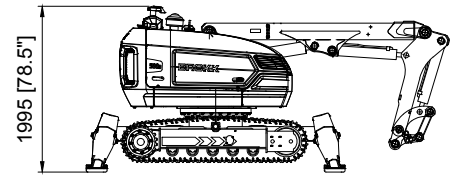
BROKK 520D is a beast. With 40 percent more hitting power and the ability to size up attachments, this diesel-powered machine outperforms everything its size. It's stronger, faster and has a longer reach – while keeping key compact dimensions of its predecessor Brokk 400D. Adding the Brokk SmartConcept – the reliability of SmartPower™, the clever features of SmartDesign™, the ergonomics and productivity of SmartRemote™ – this machine is optimal for the heaviest of tasks in any industry. Meeting new emission standards (EPA Tier 4 Final/EU Stage IV) it is also the greenest diesel demolition robot on the planet.

- 40% more demolition power with the BHB 705
- Meets the toughest emission standards
- Rugged and reliable Brokk SmartPower™
- Brokk SmartDesign™ and SmartRemote™
- Compatible with all Brokk 400 and Brokk 500 attachments

RANGE



SIZE



TECHNICAL DATA

Hydraulic breaker in illustrations BHB 705
Load and stability diagram available on request

Performance

Slewing speed 16 sec/360°
Transport speed, max. 3,4 km/h; 2.1 mph
Climbing inclination, max. 30°

Hydraulic system

Hydraulic system capacity 145 l; 38 US gal
Pump type Variable load-sensing
System pressure 18,0 MPa; 2 611 psi
Increased pressure to attachment 24,0 MPa; 3 481 psi
Pump flow 130 l/min; 34 US gal/min

Diesel performance

Type 1) Kohler Four-cylinder, water-cooled, 4-stroke engine
Engine 55 kW; 74 hp diesel EPA Tier 4 Final, EU Stage IV
Engine oil volume 11,5 l; 3 US gal
Type 2) Kubota Four-cylinder, water-cooled, 4-stroke engine
Engine*** 55 kW; 74 hp diesel EPA Tier 3, EU Stage IIIA
Engine oil volume 13,2 l; 3.5 US gal
Fuel tank capacity 70 l; 18 US gal
Coolant volume 10 l; 2.6 gal
Freezing point -40°C; -40°F

Control system

Control type SmartRemote, portable control
Signal code Digital
Transfer Professional radio/Cable
Range, radio Up to 300 m

Weight

Machine weight* 5 500 kg; 12 125 lbs
Recommended attachment weight 700 kg; 1 543 lbs

Noise level

Sound power level L_{WA} ** 101 dB(A)

*Excluding options and attachment
**Measured according to directive 2000/14/EC, excl. attachment
***Rated power 74 kW: 99,2 hp at 2,600 rpm (SAE J1995)

OPTIONS

Arm System

Impact and heat protection for cylinder C2 and C3
Heavy duty arm 3

Undercarriage

Rubber caterpillar tracks
Steel caterpillar tracks

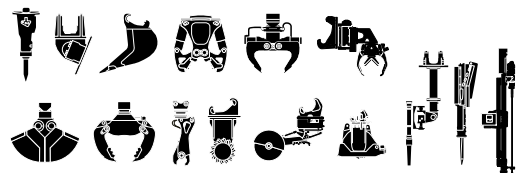
Heat resistance

Heat resistant hoses for hydraulic breaker
Forced draft cooling of machine
Forced draft cooling of breaker
Steel pads for kiln demolition or furnace

Other options

Air flushing through breaker to protect from dust
Water spray through breaker to bind dust
Extra hydraulic function
Drainage hose
CAN cable connection for tools
Lifting eyes (regular lifting points are standard)

TOOLS



BROKK 800S

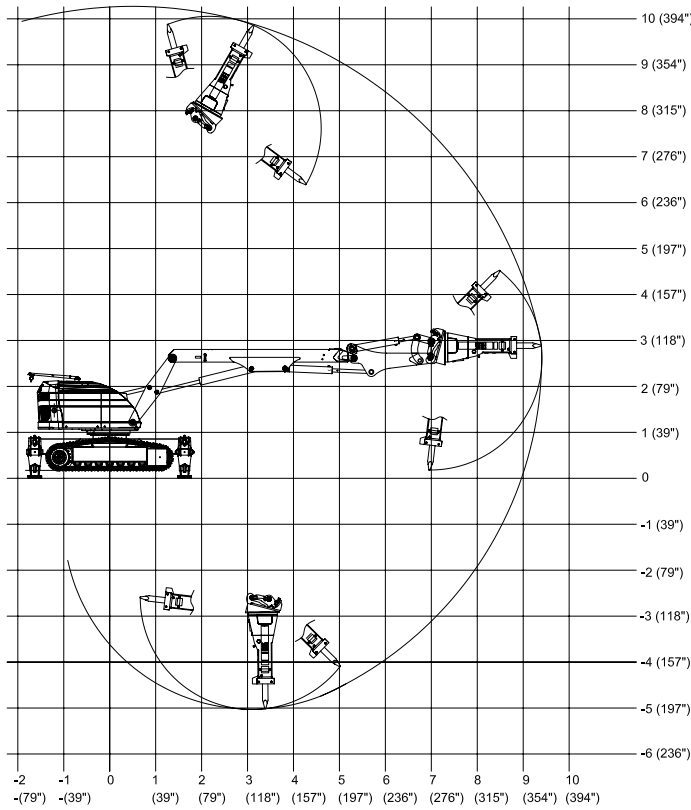


A New Dimension in Heavy Demolition

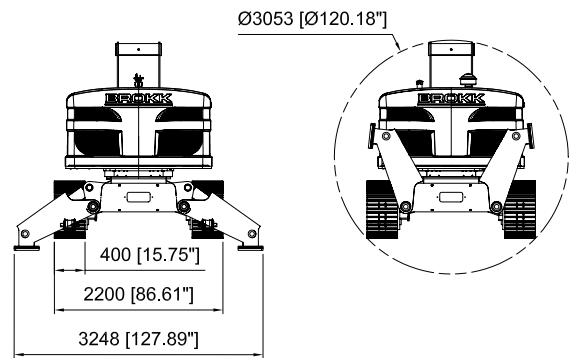
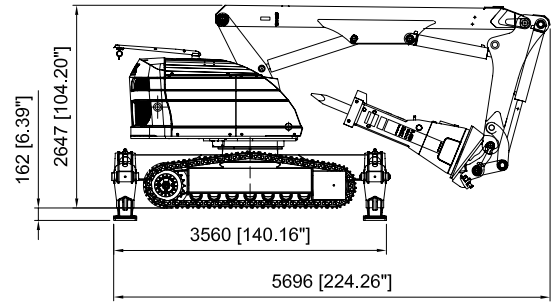
With the **BROKK 800S**, a whole new realm of application opens up in heavy demolition and underground applications. Large size and unmatched capacity make the Brokk 800S ideal for the heaviest and most demanding work. It weighs in at a hefty eleven tons with an arm that reaches a whopping 10 meters. All this bulk and reach is coupled with equally impressive power. Equipped with the MB 1200 breaker, the Brokk 800S delivers more punch than any other remote controlled demolition robot on the market.

- World's largest remote-controlled demolition machine
- The ultimate machine for tough underground and construction work
- Unparalleled reach for its size
- Powerful 1,200 kg breaker
- Available with diesel or electric power
- Brokk SmartRemote™

RANGE



SIZE



TECHNICAL DATA

Hydraulic breaker in illustrations MB 1200
Load and stability diagram available on request

Performance

Slewing speed 16 sec/360°
Transport speed, max. 3,3 km/h; 2 mph
Climbing inclination, max. 30°

Hydraulic system

Hydraulic system capacity 240 l; 63.4 US gal
Pump type Variable load-sensing
System pressure 18,5 MPa; 2 683 psi
Increased pressure to attachment 25 MPa; 3 626 psi
Pump flow Diesel/50Hz el. motor 140 l/min; 37 US gal/min
60Hz el. motor 168 l/min; 44 US gal/min

Power system

Electric motor type ABB
Motor rating* 45 kW
Rated current* 81 A
Power consumption* 0-45 kW
Starting device Direct start

Diesel performance - option

Type Four-cylinder, water-cooled, 4-stroke engine
Engine 74 kW; 99 hp diesel EPA Tier 3, EU Stage IIIA
Fuel tank capacity 80 l; 21 US gal
Engine oil volume with and without filter change 13,2 l; 3.5 US gal
Coolant volume 9 l; 2.4 US gal
Freezing point -40°C; -40°F

Control system

Control type SmartRemote, portable control
Signal code Digital
Transfer Professional radio/Cable
Range, radio Up to 300 m

Weight

Machine weight** 11 050 kg; 24 361 lbs
Recommended attachment weight 1 200 kg; 2 646 lbs

Noise level

Sound power level L_{WA} *** El: 99 dB(A)
Diesel: 103 dB(A)

*Valid for 400V/50Hz and 440V/60Hz
**Excluding options and attachment
***Measured according to directive 2000/14/EC, excl. attachment

OPTIONS

Arm System

Impact and heat protection for cylinder C2 and C3

Undercarriage

Steel caterpillar tracks

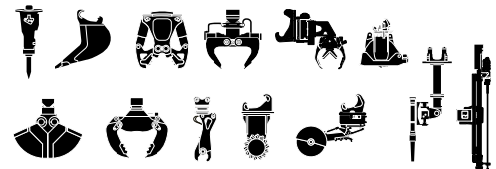
Heat resistance

Forced draft cooling of machine

Other options

Air flushing through breaker to protect from dust
Particulate filter
Extra hydraulic function
Drainage hose
CAN cable connection for tools
Lifting eyes (regular lifting points are standard)

TOOLS



BROKK 800P

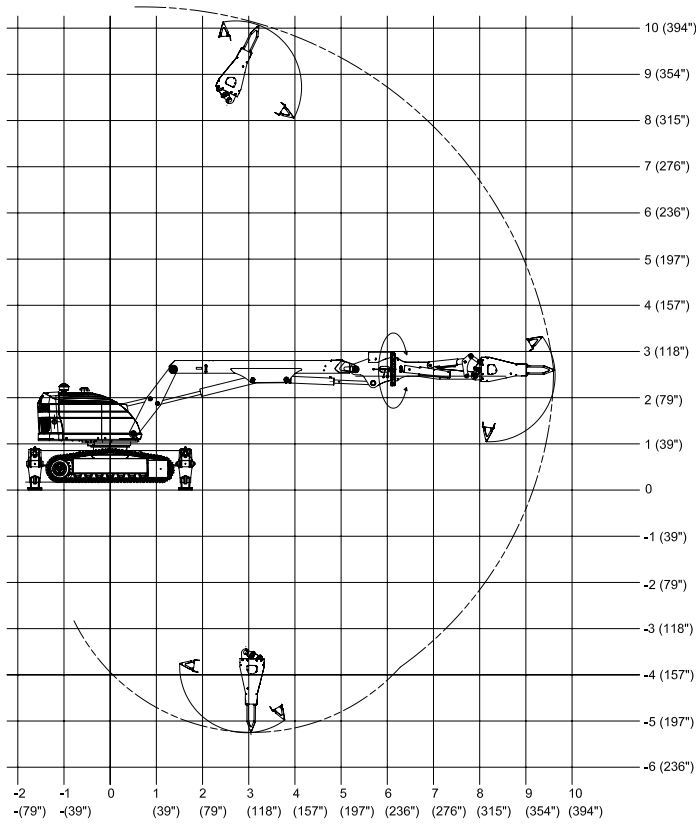


A True Process Beast

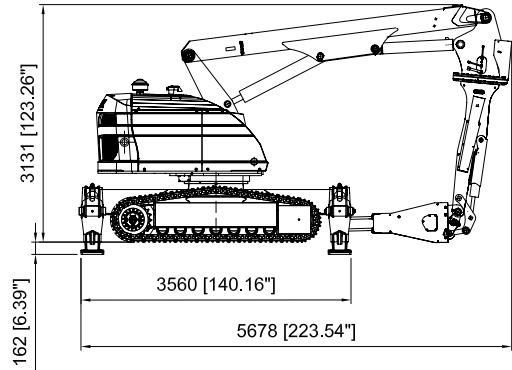
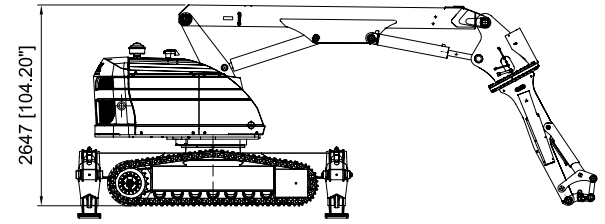
The **BROKK 800P** is the heavy industry champion of the Brokk family. With a weight of 11 tons, 360 degree arm rotation and a reach measuring an incredible 10 meters, it's a game changer for metal processing applications. The Brokk 800P has an unparalleled capacity for heavy, demanding demolition and maintenance work. Its precision operation makes sure no unwanted damage occurs. When equipped with Brokk's unique process breaker with heat and impact protection, it's unmatched in its ability to handle hot ladles, converters, runners and furnace work.

- Designed specifically for tough metal process applications
- Rotation boom system for optimal flexibility
- Patented heat-shielded process breaker
- Precision operation to avoid damage
- Available with diesel or electric power
- Brokk SmartRemote™

RANGE



SIZE



TECHNICAL DATA

Hydraulic breaker in illustrations BHB 455
Load and stability diagram available on request

Performance

Slewing speed 16 sec/360°
Transport speed, max. 3,3 km/h; 2 mph
Climbing inclination, max. 30°

Hydraulic system

Hydraulic system capacity 240 l; 63.4 US gal
Pump type Variable load-sensing
System pressure 18,5 MPa; 2 683 psi
Increased pressure to attachment 25 MPa; 3 626 psi
Pump flow Diesel/50 Hz el. motor 140 l/min; 37 US gal/min
60 Hz el. motor 168 l/min; 44 US gal/min

Power system

Electric motor type ABB
Motor rating* 45 kW
Rated current* 81 A
Power consumption* 0-45 kW
Starting device Direct start

Diesel performance - option

Type Four-cylinder, water-cooled, 4-stroke engine
Engine 74 kW; 99 hp diesel EPA Tier 3, EU Stage IIIA
Fuel tank capacity 80 l; 21 US gal
Engine oil volume with and without filter change 13,2 l; 3.5 US gal
Coolant volume 9 l; 2.4 US gal
Freezing point -40°C; -40°F

Control system

Control type SmartRemote, portable control
Signal code Digital
Transfer Professional radio/Cable
Range, radio Up to 300 m

Weight

Machine weight (diesel)** 11 300 kg; 24 912 lbs
Recommended attachment weight 600 kg; 1 323 lbs

Noise level

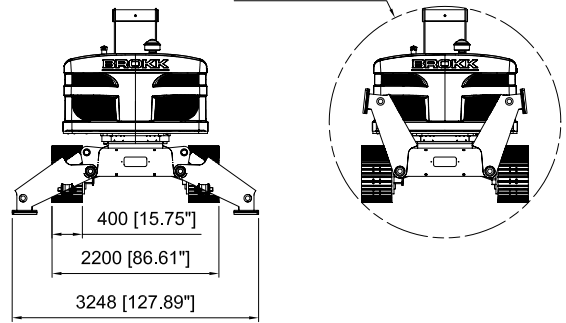
Sound power level L_{WA} *** El: 99 dB(A)
Diesel: 103 dB(A)

*Valid for 400V/50Hz and 440V/60Hz

**Excluding options and attachment

***Measured according to directive 2000/14/EC, excl. attachment

Ø3053 [Ø120.18"]



OPTIONS

Arm System

Impact and heat protection for cylinder C2 and C3

Undercarriage

Steel caterpillar tracks

Heat resistance

Heat resistant hoses for hydraulic breaker
Forced draft cooling of machine
Forced draft cooling of breaker

Other options

Particulate filter
Lifting eyes (regular lifting points are standard)

TOOLS



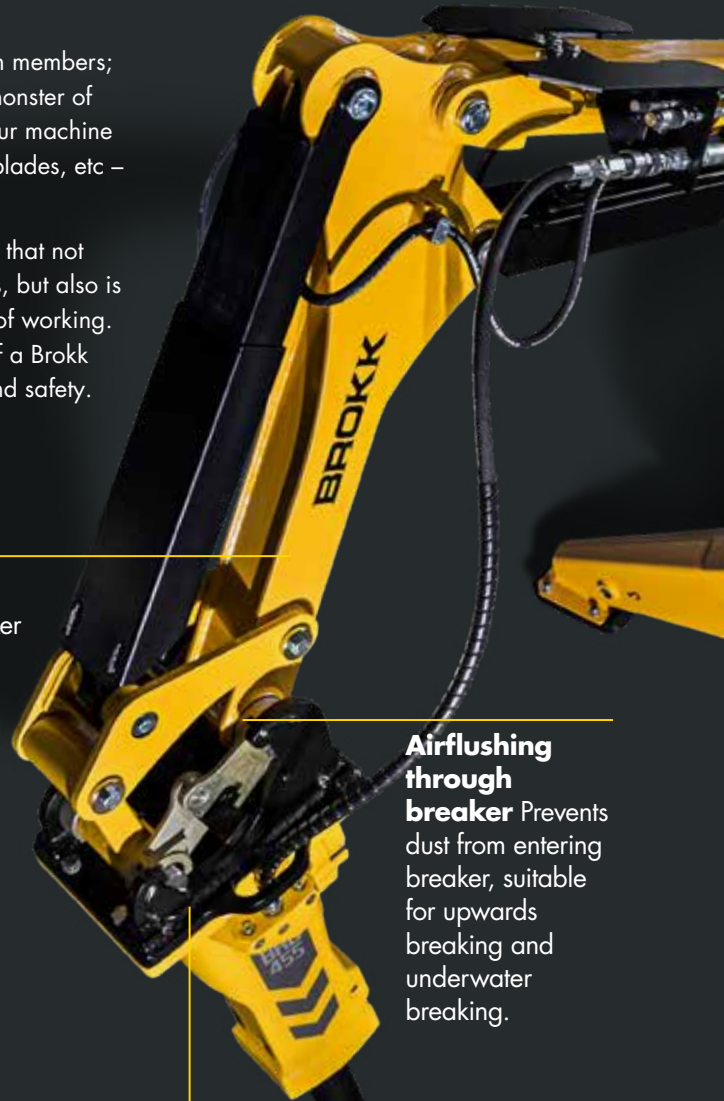
Build Your Own Brokk. For Your Own Specific Needs.



AT FIRST GLANCE, the Brokk family seems to consist of ten members; from the small but surprisingly powerful Brokk 60ⁱⁱ to the monster of power, Brokk 800. But since you are able to customize your machine with different types of options – heavy duty boom, dozer blades, etc – you can literally create your own Brokk model.

This way you are able to purpose-build a demolition robot that not only outperforms excavators and other traditional methods, but also is tailor-made for your industry, your project, and your way of working. In addition you get all the remote-controlled advantages of a Brokk robot, including unparalleled performance, ergonomics and safety.

For an option overview, see next page.

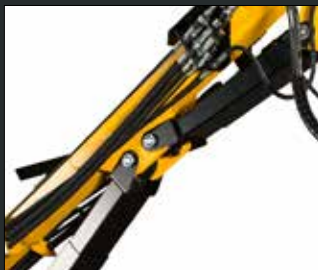


Heavy duty boom
Suitable for tough breaker applications with cy 4 protected under boom.



Heat resistant hoses Suitable for red hot applications.

Airflushing through breaker Prevents dust from entering breaker, suitable for upwards breaking and underwater breaking.



Cylinder protection for cy 2 and cy 3 Suitable for hot environments, act as heat- and impact protection.



Waterspray
Sprays water when breaker is activated and binds dust efficiently.



Forced draft cooling for breaker Suitable for red hot applications and flushes air through the breaker.

TECHNICAL ADVANTAGES



Forced draft cooling

Suitable for high ambient temperatures. Flushes cool air into electrical cabinet and cooler.

Dozer blades

Allows for dozing of material.



Counterweight

Allows the use of extra heavy tools.



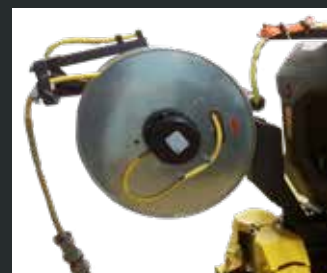
Steel and rubber tracks Depending on application, steel or rubber can be fitted.



Lifting eye Dedicated lifting eyes for easy connection. (Regular lifting points standard on all machines.)



Steel pads Suitable when machine is placed on very hot ground.



Cable reel Spring loaded cable reel keeps track of the power cable.

OPTIONS



HERE ARE SOME of the available options that can make your Brokk machine even more effective and versatile. Different options are available on different machine models. If your work requires even further customization, contact us for an informed dialogue about possible special options and custom solutions. With more than 40 years of experience, Brokk has accumulated demolition best practices, bar none.

STANDARD OPTIONS/ACCESSORIES	B60 ^{II}	B110	B120D	B170	B200	B300	B500	B520D	B800S	B800P
Arm Systems										
Impact and heat protection for cylinder C2 and C3	•	•	•	•	•	•	•	•	•	•
Heavy duty arm 3							•	•		
Undercarriage										
Rubber caterpillar tracks	•	•	•	•	•	•	•	•		
Steel caterpillar tracks		•	•	•	•	•	•	•	•	•
Dozer blade				•						
Heat resistant options										
Heat resistant hoses for hydraulic breaker		•	•	•	•	•	•	•		•
Forced draft cooling of machine	•	•	•	•	•	•	•	•	•	•
Forced draft cooling of breaker		•	•	•	•	•	•	•		•
Steel pads for machines placed on hot ground	•	•	•	•	•	•	•	•		
Others										
Air flushing through breaker to protect from dust		•	•	•	•	•	•	•	•	
Water spray through breaker to bind dust		•	•	•	•	•	•	•		
Extra hydraulic function	•	•	•	•	•	•	•	•	•	•
Counterweight		•	•		•	•	•	•		
Cable reel with 60 m cable					•	•	•			
Particulate filter								•	•	•
Lifting eyes*		•	•	•	•	•	•	•	•	•
Brokk cover	•	•	•	•	•	•	•	•		

Additional customization and options are available upon request.

*Standard lifting points available on all machines.

BROKK

EX

BROKK 60 EX
BROKK 110 EX
BROKK 170 EX
BROKK 200 EX
BROKK 300 EX
BROKK 500 EX
BROKK 800 EX



Brokk EX Series

Specialized Brokk machines for the most dangerous environments: The **BROKK EX SERIES**. This new product lineup consists of seven models designed specifically for use in potentially explosive environments. With specialized modifications and equipment, such as explosion-proof electrical cabinets, gas detectors and more, these machines provide a new level of safety and durability in work areas with explosive gas hazards.

All EX machines comply with the ATEX 1994/9/EC directive, classified up to Equipment Class 3G IIA T3. They can be used in what the ATEX directive calls "Zone 2", where explosive gas, vapor or mist may occur. This new capability is especially important for customers working in mining, petroleum and other potentially dangerous industries. The EX Series brings an even higher margin of Brokk safety to all these environments.

- Explosion proof according to ATEX directive
- Ideal for potentially explosive environments
- Same outstanding capabilities as standard Brokk machines





Equipped with additional tools, your Brokk machine turns into a multi-purpose, profit-generating marvel for your business. Grapples, drum cutters, buckets, drills and other devices greatly expand the machine's versatility and efficiency. Here's our wide and ever-expanding range of original Brokk attachments.

ATTACHMENTS



BHB 455



■ BREAKERS

	Hitting power*	Blows/min	Weight	Made for
BHB 55	101 J/Nm	750 – 1 700	55 kg/121 lbs	Brokk 60
BHB 105	159 J/Nm	750 – 2 300	100 kg/221 lbs	Brokk 110, 120
BHB 155	254 J/Nm	850 – 1 900	140 kg/309 lbs	Brokk 110, 120, 170
BHB 205	406 J/Nm	850 – 1 800	205 kg/452 lbs	Brokk 170
BHB 305	610 J/Nm	600 – 1 400	295 kg/650 lbs	Brokk 200, 300
BHB 455	855 J/Nm	550 – 1 250	410 kg/904 lbs	Brokk 300, 800P
BHB 555	1 048 J/Nm	650 – 1 150	520 kg/1 146 lbs	Brokk 500, 520D
BHB 705	1 472 J/Nm	600 – 1 050	685 kg/1 510 lbs	Brokk 500, 520D
MB 1200	2 709 J/Nm	340 – 680	1 200 kg/2 646 lbs	Brokk 800S

*Actual output, impact energy class (Joule/Nm)
A variety of chisels and tools can be fitted to the breakers.



■ CONCRETE CRUSHERS*



CC580

	Jaw opening	Rebars	Crushing force	Weight	Made for
CC260	250 mm/9.8 in	Ø16 mm/0.6 in	220 kN/22 t/ 49 x 10 ³ lbf	82 kg/ 181 lbs	Brokk 60
CC340	343 mm/14 in	Ø30 mm/1.2 in	360 kN /37 t/ 81 x 10 ³ lbf	160 kg/ 353 lbs	Brokk 110, 120D
CC440	440 mm/17 in	Ø30 mm/1.2 in	430 kN /44 t/ 97 x 10 ³ lbf	265 kg/ 584 lbs	Brokk 170
CC480	460 mm/18 in	Ø30 mm/1.2 in	490 kN/50 t/ 110 x 10 ³ lbf	305 kg/ 672 lbs	Brokk 200
CC580	565 mm/22 in	Ø30 mm/1.2 in	530 kN/54 t/ 119 x 10 ³ lbf	430 kg/ 948 lbs	Brokk 300
CC700	650 mm/26 in	Ø30 mm/1.2 in	680 kN/70 t/ 153 x 10 ³ lbf	610 kg/ 1 345 lbs	Brokk 500, 520D, 800S

*Free rotation



■ METAL SHEARS*



	Cutting force	Opening width	Weight	Made for
MC200	490 kN/50 t/110 Klbf	200 mm/7.9 in	165 kg/364 lbs	Brokk 110, 120, 170
TC120	660 kN/60 t/149 Klbf	125 mm/4.9 in	305 kg/672 lbs	Brokk 200, 300
CC420S	740 kN/75 t/166 Klbf	145 mm/6 in	300 kg/661 lbs	Brokk 200, 300
CC700S	1 840 kN/188 t/414 Klbf	268 mm/11 in	695 kg/1 532 lbs	Brokk 500, 520D, 800
BMS 100	647 kN/66 t/145 Klbf	195 mm/7.7 in	380 kg/838 lbs	Brokk 200, 300
BMS 140	863 kN/88 t/194 Klbf	290 mm/11.4 in	645 kg/1 422 lbs	Brokk 500, 520D
BMS 250-H	1 353 kN/138 t/304 Klbf	375 mm/14.8 in	1 360 kg/2 998 lbs	Brokk 800S

All weights refer to operational tools (incl. mounting plate, hoses, oil)



250 l

BUCKETS*

Volume	Width	Weight	Made for
20 l/0.7 cu ft	330 mm/13 in	20 kg/44 lbs	Brokk 60
60 l/2.1 cu ft	520 mm/20.5 in	61 kg/134 lbs	Brokk 110, 120D
80 l/2.8 cu ft	690 mm/27.2 in	76 kg/168 lbs	Brokk 170
150 l/5.3 cu ft	800 mm/31.5 in	120 kg/265 lbs	Brokk 200
250 l/8.8 cu ft	930 mm/36.6 in	150 kg/331 lbs	Brokk 300, 500, 520D, 800P
700 l/24.7 cu ft	1 050 mm/41.3 in	650 kg/1 433 lbs	Brokk 800S

*See load diagram for each Brokk machine



C02H

CLAMSHELL BUCKETS*

	Volume	Opening range	Width	Weight	Made for
C01H-20	10 l/0.4 cu ft	429 mm/16.9 in	207 mm/8.1 in	61 kg/135 lbs	Brokk 60
C02H-25	25 l/0.9 cu ft	725 mm/28.5 in	250 mm/9.8 in	110 kg/243 lbs	Brokk 110, 120D
C03H-35	65 l/2.3 cu ft	880 mm/34.6 in	350 mm/13.8 in	175 kg/386 lbs	Brokk 170
C05H-40	115 l/4.1 cu ft	1 090 mm/42.9 in	400 mm/15.7 in	210 kg/463 lbs	Brokk 200
C05HPX-40	115 l/4.1 cu ft	1 110 mm/43.7 in	400 mm/15.7 in	325 kg/717 lbs	Brokk 300
C05HPX-60	170 l/6.0 cu ft	1 110 mm/43.7 in	600 mm/23.6 in	390 kg/860 lbs	Brokk 500, 520D
C08HPX-80	300 l/10.6 cu ft	1 250 mm/49.2 in	800 mm/31.5 in	580 kg/1 279 lbs	Brokk 800S

*See load diagram for each Brokk machine

Rotator with continuous rotation

Requires one extra hydraulic function

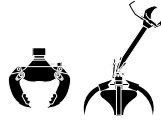
Only for material handling, not for demolition.



A06HPX-45



KM651-4



MULTI PURPOSE GRAPPLES*

	Volume	Opening range	Width	Weight	Made for
A01H-20	10 l/0.4 cu ft	429 mm/16.9 in	207 mm/8.1 in	61 kg/135 lbs	Brokk 60
A02H-30	35 l/1.2 cu ft	835 mm/32.9 in	300 mm/11.8 in	152 kg/335 lbs	Brokk 110, 120D, 170
A04H-40	70 l/2.5 cu ft	1 233 mm/48.5 in	386 mm/15.2 in	237 kg/522 lbs	Brokk 200
A04HPX-40	70 l/2.5 cu ft	1 050 mm/41.3 in	386 mm/15.2 in	325 kg/717 lbs	Brokk 300
A06HPX-45	145 l/5.1 cu ft	1 344 mm/52.9 in	450 mm/17.7 in	430 kg/948 lbs	Brokk 500, 520D
A09HPX-50	210 l/7.4 cu ft	1 550 mm/61.0 in	500 mm/19.7 in	640 kg/1 411 lbs	Brokk 800S
Orange Peel Grapple					
KM651-4 180	180 l/6.4 cu ft	1 450 mm/57.1 in	1 070 mm/42.1 in	520 kg/1 146 lbs	Brokk 500, 520D
KM651-4 240	240 l/8.5 cu ft	1 720 mm/67.7 in	1 125 mm/44.3 in	870 kg/1 918 lbs	Brokk 800S

*See load diagram for each Brokk machine
Requires one extra hydraulic function
Rotator with continuous rotation



G30



D02H



SORTING & DEMOLITION GRAPPLES*

	Jaw opening	Weight	Made for
G30	300 mm/11.8 in	42 kg/93 lbs	Brokk 60
G50	400 mm/15.7 in	140 kg/309 lbs	Brokk 110, 120D, 170
D02H-30	790 mm/31.1 in	133 kg/293 lbs	Brokk 110, 120D, 170
D04H-40	1 239 mm/48.8 in	232 kg/511 lbs	Brokk 200
D04HPX-40	1 051 mm/41.4 in	335 kg/739 lbs	Brokk 300
D06HPX-45	1 350 mm/53.1 in	435 kg/959 lbs	Brokk 500, 520D
D09HPX-50	1 550 mm/61.0 in	645 kg/1 422 lbs	Brokk 800S

*See load diagram for each Brokk machine
Requires one extra hydraulic function
Rotator with continuous rotation

All weights refer to operational tools (incl. mounting plate, hoses, oil)

BCP250



PLANERS

	Cutting depth	Width	Weight	Made for
BCP 215* **	0-5 mm/0-0.2 in	265 mm/10.4 in	265 kg/584 lbs	Brokk 110, 120D
BCP 250* **	0-5 mm/0-0.2 in	265 mm/10.4 in	345 kg/761 lbs	Brokk 200
BCP 350* **	0-5 mm/0-0.2 in	335 mm/13.2 in	600 kg/1 323 lbs	Brokk 300, 500, 520D
EX20HD* ***	0-70 mm/0-2.8 in	200 mm/7.9 in	210 kg/463 lbs	Brokk 170, 200
EX30HD* ***	0-120 mm/0-4.7 in	300 mm/11.8 in	460 kg/1 014 lbs	Brokk 300, 500, 520D

*Available with cover and suction

**Requires extra hydraulic function, drainage hose, cable kit, counter weight in some occasions
Requires load holding. On request

***Requires drainage hose

TE 160-100



DRILLING EQUIPMENT***

	Length	Drill diameters	Drill steel size	Max. stroke length**	Weight	Made for
TE 160-100	1 910 mm/ 75.2 in	33 – 42mm 1.3 – 1.7 in	R25	1 000 mm/ 3.3 ft	225 kg/ 496 lbs	Brokk 110, 120, 170
TE 260-180*	2 900 mm/ 114.2 in	33 – 52 mm 1.3 – 2 in	R32	1 830 mm/ 6 ft	415 kg/ 915 lbs	Brokk 200, 300, 500, 520D
TE 260-240*	3 500 mm/ 137.8 in	33 – 52 mm 1.3 – 2 in	R32	2 435 mm/ 8 ft	432 kg/ 952 lbs	Brokk 300, 500, 520D
TE 326-180*	3 200 mm/ 126.2 in	42 – 76 mm 1.7 – 3 in	R32	1 830 mm/ 6 ft	440 kg/ 960 lbs	Brokk 300, 500, 520D
TE 326-240*	3 800 mm/ 149.8 in	42 – 76 mm 1.7 – 3 in	R32	2 435 mm/ 8 ft	450 kg/ 992 lbs	Brokk 300, 500, 520D
TE 360-240*	3 590 mm/ 141.3 in	42 – 76 mm 1.7 – 3 in	R32	2 435 mm/ 8 ft	644 kg/ 1 420 lbs	Brokk 500, 520D, 800S

*Extension rod drilling on request

**Per stroke with open centralizer

***Requires drainage hose, cable kit, counterweight in some occasions, water or airflushing

All weights refer to operational tools (incl. mounting plate, hoses, oil)

BDC 100



DRUM CUTTERS

	Cutting depth**	Width	Weight	Made for
RT 15-40*	0-5 mm/0-0.2 in	120 mm/4.7 in	66 kg/146 lbs	Brokk 60
BDC 50***	0-30 mm/0-1.2 in	480 mm/18.9 in	160 kg/353 lbs	Brokk 110, 120, 170
BDC 100***	0-65 mm/0-2.6 in	610 mm/24 in	345 kg/761 lbs	Brokk 200, 300, 500, 520D, 800P
BDC 250***	0-80 mm/0-3.1 in	680 mm/26.8 in	545 kg/1 202 lbs	Brokk 500, 520D, 800S

*Cover and suction on request

**Data depending on concrete quality

***Requires drainage hose

Brokk Beam Grapple



BEAM GRAPPLE*

	Jaw opening	Beam weight	Weight	Made for
Brokk Beam Grapple	250 mm/9.8 in	B300: 150 kg/331 lbs B500: 500 kg/1 102 lbs B800: 500 kg/1 102 lbs	320 kg/705 lbs	Brokk 300, 500, 520D, 800S

*Requires load holding valves with hose burst function
Requires two extra hydraulic functions

Brokk Shot Crete



SHOT CRETE*

	Concrete hose (di)	Gunning pressure	Air pressure	Weight	Made for
Brokk Shot Crete	45 mm/ 1.8 in	Depend on concrete pump	Depend on concrete pump	180 kg/397 lbs	Brokk 200, 300, 500, 520D, 800S

*Requires two extra hydraulic functions

All weights refer to operational tools (incl. mounting plate, hoses, oil)

BCS10



CUT OFF SAW*

	Saw disk diameter**	Cutting depth***	Weight	Made for
BCS 8	400 mm/16 in	170 mm/7 in	62 kg/137 lbs	Brokk 60
BCS 10	400 mm/16 in	170 mm/7 in	65 kg/143 lbs	Brokk 110, 120, 170
BCS 25****	800 mm/31 in	260 mm/10 in	192 kg/423 lbs	Brokk 170
BCS 35****	800 mm/31 in	260 mm/10 in	195 kg/430 lbs	Brokk 200, 300, 500, 520D, 800S

*Requires one extra hydraulic function

**Different saw disks available depending on material

***With new saw disk

****Requires drainage hose

C20 J



SPLITTERS

	Length	Drill hole diameter	Splitting force theoretical	Weight	Made for
C20 V**	1 833 mm/72 in	76 mm/3 in	14 760 kN-17 660 kN/ 1 500 t-1 800 t	455 kg/ 1 003 lbs	Brokk 300*, 500, 520D
C20 H***	1 790 mm/70 in	76 mm/3 in	14 760 kN-17 660 kN/ 1 500 t-1 800 t	460 kg/ 1 014 lbs	Brokk 300*, 500, 520D
C20 J**	2 110 mm/83 in	76 mm/3 in	14 760 kN-17 660 kN/ 1 500 t-1 800 t	440 kg/ 970 lbs	Brokk 300*, 500, 520D

*Require counterweight

**Requires one extra hydraulic function

***Requires two extra hydraulic functions

PTA-09



SIDE ANGLING DEVICE**

	Angle	Weight*	Made for
PTA-04,5	±60°	140 kg/309 lbs	BHB 105/Brokk 110, 120D
PTA-06	±70°	215 kg/474 lbs	BHB 155/Brokk 170
PTA-07	±67°	330 kg/728 lbs	BHB 205/Brokk 200, 300
PTA-09	±53°	555 kg/1 224 lbs	BHB 305/Brokk 500, 520D

*With breaker

**Requires one extra hydraulic function

All weights refer to operational tools (incl. mounting plate, hoses, oil)



BROKK UPTIME

Brokk Uptime™ marks the next level in our service, support and training offer. To our customers this means improved parts and service availability and faster response times, no matter where in the world you are working. The exclusive use of high quality Brokk Original Spare Parts™ maximizes your machine's performance. And our advanced training helps you go further - faster and safer. Let us introduce you to Brokk Uptime™.

Service and Spare Parts You Can Count On. Whenever and Wherever You Need Them.



With over 40 years of demolition robot experience, Brokk has the experience and expertise to provide you with the best possible service solution. Our well-trained and dedicated service technicians take great pride in providing Brokk owners with top-notch service and support. The same goes for our parts service, where we know from experience that it is all about keeping you up and running with your Brokk machine. Our efficient distribution center combined with our extensive service network ensures quick troubleshooting and swift parts delivery – two essential factors in getting tough demolition jobs completed safely and on time. In addition, technicians in our global service network participate in continuous, comprehensive training programs, guaranteeing high-quality Brokk service throughout the world.

Brokk machines are uniquely designed for extreme forces and operation in a rough environment. The parts and components they are made up of are specially designed and manufactured for demolition robots. By using Brokk Original Spare Parts™, you are choosing continued optimal performance, maximum reliability and a longer life of your Brokk machine. You are choosing uptime instead of downtime.

If something happens when you are in a pinch, then sometimes the fastest way to get up and running is a bit “do it yourself”. Then our detailed and user-friendly manuals will guide you, and help from our vast pool of service knowledge is just a phone call away.





Thanks to our global service network, assistance is always just around the corner.

Brokk machines are built to last. Their unique quality coupled with regular maintenance ensures that every Brokk, using Brokk Original Spare Parts™, will continue to work long after competitors' machines have quit.

Over 40 years of experience in construction and demolition projects worldwide are just a phone call away. Our spare parts distribution center and well-equipped service network ensure quick access to parts and consumables.



Productivity and Cost Control Through Service Agreements and Training.



With a Brokk Uptime™ service agreement, you get full peace of mind. The machine's performance and longevity is maximized, while down-time is minimized. This is made possible through a service program that helps identify and prevent potential problems before they cause any disruption to your production. Monitoring of your machine's status, recommendations for improvements in use of the machine based on machine data, preventive maintenance, and the exclusive use of high quality Brokk Original Spare Parts™ are key components in this program. With planned service intervals, we can also ensure that service and maintenance takes place when it is suitable for you and your work. And of course, you are assured that every service is carried out by experienced Brokk service technicians.

By entering a Brokk Uptime™ service agreement, you can be safe in the knowledge that your Brokk machine is always in good hands. Proactive reassurance instead of unwelcome surprises.

BROKK ACADEMY

Operating a Brokk machine is easy to learn, but practice and experience make a world of difference. To ensure safe, reliable and productive machine operation, we offer specialized training programs for both your operators and service personnel. In addition to safe and efficient machine use, our operator training, Brokk Academy, also provides a glimpse into the vast variety of work you can do with a Brokk machine. Although demolition is normally the primary job for Brokk machines, they can be used for a wide range of additional tasks by simply adding a new attachment and the right training.



Through the service agreement, we optimize your machine's performance and plan the service according to your schedule.



With our certified service technicians, you know your Brokk is in good hands.



Safety comes first. Brokk training can be adapted to your specific work situation. This personalized training combined with the unique features built into every Brokk machine, will maximize your efficiency and safety.



Our unique training program, the Brokk Academy, gets you off to the best possible start with hands-on education by experienced Brokk experts.



Headquarters

SWEDEN

Brokk AB
Box 730
931 27 Skellefteå
Sweden
Phone: +46(0) 910 711 800
info@brokk.com
www.brokk.com

Our Subsidiaries

AUSTRALIA

Brokk Australia Pty Ltd
9 Colorado Court
Morphett Vale
South Australia 5162
Australia
Phone: +61(0) 8 8387 7742
info@brokkaustralia.com.au
www.brokkaustralia.com.au

BELGIUM

Brokk Belgium
Part of Brokk France SAS
ZI Inova 3000
BP n°20033
F-88151 Thaon les Vosges
France
www.brokk.com
jvdp@brokk.fr

CHINA

Brokk (Beijing) Machines Co. Ltd.
A1208 ChengJian Plaza,
No. 18 Beitaipingzhuang Road,
Haidian, Beijing 100088
P.R. China
Phone: +86(0) 10 8225 5331
info-2008@brokk.com.cn
www.brokk.com.cn

FRANCE

Brokk France
ZI Inova 3000, BP 20033
88151 THAON-LES-VOSGES
CEDEX
France
Phone: +33(0) 329 390 390
info@brokk.fr
www.brokk.fr

GERMANY

Darda GmbH
Im Tal 1
D-78176 Blumberg
Germany
Phone: +49 (0) 770 243 910
info@darda.de
www.darda.de

ITALY

Brokk Italia srl
Via Regina Teodolinda, 17
22100 Como
Italy
Phone: +39 031 264 087
Mobile: +39 331 854 5276
info@brokk.it
www.brokk.com/it

NORWAY

Brokk Norge AS
Industriveien 24
1400 Ski
Norway
Phone: +47(0) 94 83 95 07
info@brokk.no
www.brokk.com/no

SINGAPORE

Brokk Asia-Pacific Pte Ltd
51 Bukit Batok Crescent
Unity Centre # 04-26
Singapore 658077
Singapore
Phone: +65 6316 2500
info@brokk.com.sg
www.brokk.com/sgp

SWEDEN

Ahlberg Cameras AB
Gösvägen 22
76141 Norrtälje
Sweden
Phone: +46 176 20 55 00
sales@ahlbergcameras.com
www.ahlbergcameras.com

SWEDEN

Aquajet Systems AB
Brunnsvägen 15
574 53 Holsbybrunn
Sweden
Phone: +46 383 508 01
aquajet@aquajet.se
www.aquajet.se

SWITZERLAND

Brokk Switzerland GmbH
Vorderschlundstrasse 5
CH-6010 Kriens
Switzerland
Phone: +41 41 755 39 77
service@brokk.ch
www.brokk.com/ch

UNITED ARAB EMIRATES

Brokk Middle East
Office No. 1126
Jafza One Tower A
Jebel Ali Free Zone, Dubai
UAE
Phone: +971-4-8170279
haitham.gouda@brokk.com
kathy.delacruz@brokk.com

UNITED KINGDOM

Brokk UK Ltd.
Unit 2 A Moss End Business
Village
Crooklands, Milnthorpe
Cumbria, LA7 7NU
England
Phone: +44(0) 153 95 66055
nathan.sayers@brokkuk.
co.uk
www.brokk.com/uk

USA

Brokk Inc.
1144 Village Way
Monroe WA 98272
USA
Phone: +1 360 794 1277
info@brokkinc.com
www.brokk.com/us

USA

Brokk Bricking Solutions Inc.
1144 Village Way
Monroe, WA 98272
USA
Phone: +1 360 794 1277
info@brickingsolutions.com
www.brickingsolutions.com



The World of Brokk.





Always Within Reach.

With over 7,000 machines working on exciting projects around the world, Brokk has become synonymous with safety, quality and efficiency. A critical part of our product and support offering is the comprehensive ownership experience our customers have come to expect—from purchase to training to service. It's about staying as close


as possible to our markets and our customers. That's why we've developed our worldwide sales and service network: so you have reliable access to Brokk resources, support and offers wherever and whenever you need them. For more information, please contact your local Brokk representative.

COMPARISON CHART



	60 ^{II}	110	120D ^{II}	170	200
Weight, kg (lbs)	500 (1 102)	990 (2 183)	1 230 (2 712)	1 600 (3 527)	2 100 (4 630)
Width min. mm (in)	590 (23.2)	780 (30.7)	780 (30.7)	780 (30.7)	780 (30.7)
Height min. mm (in)	874 (34.4)	1 147 (45.2)	1 250 (49.2)	1 254 (49.4)	1 351 (53.2)
Power, kW	5,5	 19.5	 18.5 D	 24	 27,5
Pump flow, 50 hZ, l/min (US gal/min)	22 (5.8)	54 (14.3)	50 (13.3)	69 (18)	85 (22)
Recommended weight attach- ment, kg (lbs)	80 (175)	160 (353)	160 (353)	270 (595)	350 (772)
Vertical reach (incl. breaker) mm (in)	3 100 (122)	4 300 (169)	4 300 (169)	4 800 (189)	5 450 (215)
Horizontal reach (incl. breaker) mm (in)	2 500 (98)	3 700 (146)	3 700 (146)	4 400 (173)	5 100 (201)



300	500	520D	800S	800P
3 650 (8 047)	5 200 (11 464)	5 500 (12 125)	11 050 (24 360)	11 300 (24 900)
1 200 (47.2)	1 600 (63)	1 600 (63)	2 200 (86.6)	2 200 (86.6)
1 530 (60.2)	1 677 (66)	1 860 (73.2)	2 647 (104.2)	2 647 (104.2)
 37	 41	 55 D	74 D 45 E	74 D 45 E
100 (26.5)	115 (30.4)	125 (33)	140 (37)	140 (37)
500 (1 102)	700 (1 543)	700 (1 543)	1 200 (2 645)	600 (1 322)
6 500 (256)	7 300 (287)	7 100 (280)	10 100 (398)	10 100 (398)
6 100 (240)	7 000 (276)	6 700 (264)	9 400 (370)	9 600 (378)

Brokk 60 EX – Brokk 800 EX

**THE NAME BROKK COMES FROM THE DWARF
BLACKSMITH IN NORDIC MYTHOLOGY.
THE EXCEPTIONALLY STRONG DWARF BROKK
FORGED THE GOD THOR'S HAMMER "MJÖLNIR".
BROKK WAS SMALL, POWERFUL AND
UNBEATABLE.**

JUST LIKE OUR MACHINES.

BROKK[®]

Brokk AB | P.O. Box 730
SE-931 27 Skellefteå | Sweden
Tel +46 910 711 800
info@brokk.com | www.brokk.com