

# / BROKK 900

The Brokk 900 will open a whole new world of applications within heavy demolition and the tunneling industry. Heavy jobs require heavy attachments, that's the reason why Brokk 900 will be equipped with BHB 1500 which will give you more hitting power than any other demolition robot in the world. A major upgrade from its predecessor, Brokk 800, is that the Brokk 900 is equipped with SmartPower™ for optimized and more reliable runtime for longer periods of time. And with the new robust design, Brokk 900 will be a demolition robot to count on!

- Service friendly and robust design
- Heavy breaker for heavy tasks
- Reliable SmartPower™
- Diesel or electric powered



Hydraulic breaker in images: BHB 1500  
Load and stability diagram available on request



## TECHNICAL DATA

<b>Slewing speed</b>	16 sec/360°
<b>Transport speed, max.</b>	2.8 km/h; 1.7 mph
<b>Climbing inclination, max.</b>	30°
<b>Hydraulic system capacity</b>	230 l; 60.8 US gal
<b>Pump type</b>	Variable load-sensing
<b>System pressure</b>	18.5 MPa; 2683 psi
<b>Increased pressure to attachment</b>	25 MPa; 3626 psi
<b>Pump flow Diesel/50 Hz el. motor</b>	148 l/min; 39 US gal/min
<b>60 Hz el. motor</b>	178 l/min; 47 US gal/min
<b>Power technology</b>	SmartPower™
<b>Electric motor type</b>	ABB
<b>Power*</b>	71 kW
<b>Recommended fuse size*</b>	125 A

**Starting device** Soft start

**Diesel performance - Type 1)** Kohler Four-cylinder, water-cooled, 4-stroke engine

**Engine** 55,5 kW; 74 hp diesel EPA Tier 4, EU Stage V

**Engine oil volume** 15.6 l; 4.1 US gal

**Diesel performance - Type 2)** Kubota Four-cylinder, water-cooled, 4-stroke engine

**Engine\*\*** 55,5 kW; 74 hp diesel EPA Tier 3, EU Stage IIIA

**Engine oil volume** 13.2 l; 3.5 US gal

**Fuel tank capacity** 80 l; 21.1 US gal

**Freezing point** -40 °C; -40°F

**Control type** SmartRemote™, portable

**Signal code** Digital

**Transfer** Professional radio/Cable

**Range, radio** Up to 300 m

**Machine weight\*\*\*** 11,400 kg; 25,133 lbs

**Recommended attachment weight** 1500 kg; 3307 lbs

**Sound power level L<sub>WA</sub>\*\*\*\* El:** 99 dB(A)

**Diesel:** 103 dB(A)

\*Valid for 400 V/50 Hz and 440 V/60 Hz

\*\*Rated power 74 kW: 99.2 hp at 2600 rpm (SAE J1995)

\*\*\*Excluding options and attachment

\*\*\*\*Measured according to directive 2000/14/EC, excl. attachment

## OPTIONS

Extra cylinder protection

Forced draft cooling for machine

Atomized water mist **NEW!**

Air flushing for breaker

Extra hydraulic function

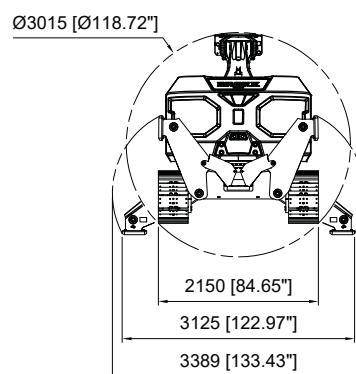
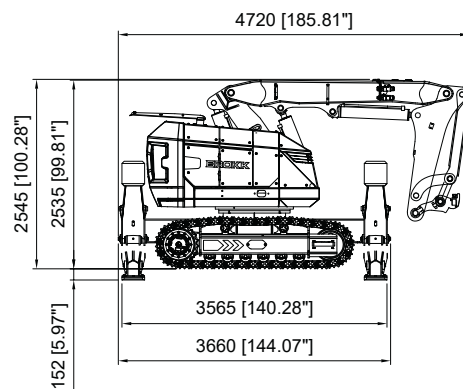
Drainage hose

CAN cable connection

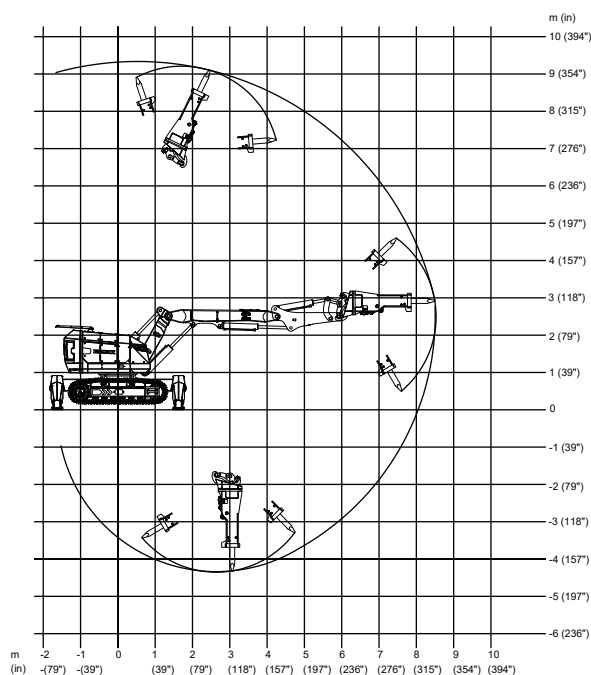
Lifting eyes (regular lifting points are standard)

Motion warning

## SIZE



## RANGE



Tolerances for technical data may vary