

BROKK 520D

NEW 2018!

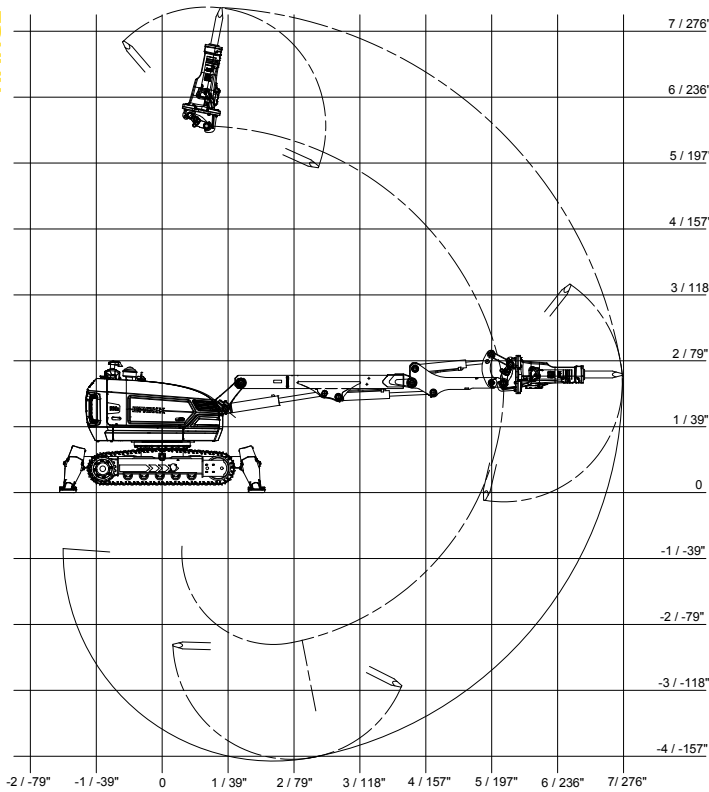


The Mean, Green Diesel Demolition Machine

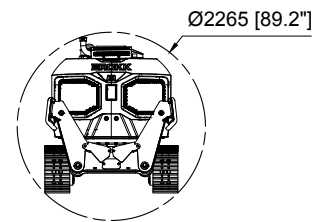
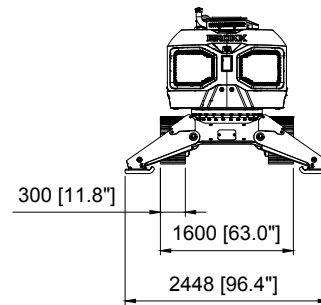
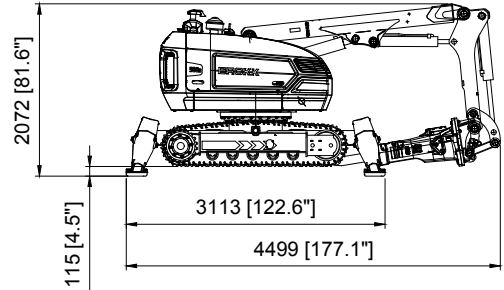
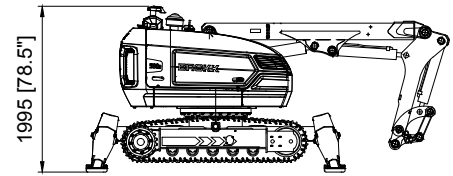
BROKK 520D is a beast. With 40 percent more hitting power and the ability to size up attachments, this diesel-powered machine outperforms everything its size. It's stronger, faster and has a longer reach – while keeping key compact dimensions of its predecessor Brokk 400D. Adding the Brokk SmartConcept – the reliability of SmartPower™, the clever features of SmartDesign™, the ergonomics and productivity of SmartRemote™ – this machine is optimal for the heaviest of tasks in any industry. Meeting new emission standards (EPA Tier 4 Final/EU Stage IV) it is also the greenest diesel demolition robot on the planet.

- 40% more demolition power with the BHB 705
- Meets the toughest emission standards
- Rugged and reliable Brokk SmartPower™
- Brokk SmartDesign™ and SmartRemote™
- Compatible with all Brokk 400 and Brokk 500 attachments

RANGE



SIZE



TECHNICAL DATA

Hydraulic breaker in illustrations BHB 705
 Load and stability diagram available on request

Performance

Slewing speed 16 sec/360°
 Transport speed, max. 3,4 km/h; 2.1 mph
 Climbing inclination, max. 30°

Hydraulic system

Hydraulic system capacity 145 l; 38 US gal
 Pump type Variable load-sensing
 System pressure 18,0 MPa; 2 611 psi
 Increased pressure to attachment 24,0 MPa; 3 481 psi
 Pump flow 130 l/min; 34 US gal/min

Diesel performance

Type 1) Kohler Four-cylinder, water-cooled, 4-stroke engine
 Engine 55 kW; 74 hp diesel EPA Tier 4 Final, EU Stage IV
 Engine oil volume 11,5 l; 3 US gal
 Type 2) Kubota Four-cylinder, water-cooled, 4-stroke engine
 Engine*** 55 kW; 74 hp diesel EPA Tier 3, EU Stage IIIA
 Engine oil volume 13,2 l; 3.5 US gal
 Fuel tank capacity 70 l; 18 US gal
 Coolant volume 10 l; 2.6 gal
 Freezing point -40°C; -40°F

Control system

Control type SmartRemote, portable control
 Signal code Digital
 Transfer Professional radio/Cable
 Range, radio Up to 300 m

Weight

Machine weight* 5 500 kg; 12 125 lbs
 Recommended attachment weight 700 kg; 1 543 lbs

Noise level

Sound power level L_{WA} ** 101 dB(A)

*Excluding options and attachment
 **Measured according to directive 2000/14/EC, excl. attachment
 ***Rated power 74 kW: 99,2 hp at 2,600 rpm (SAE J1995)

OPTIONS

Arm System

Impact and heat protection for cylinder C2 and C3
 Heavy duty arm 3

Undercarriage

Rubber caterpillar tracks
 Steel caterpillar tracks

Heat resistance

Heat resistant hoses for hydraulic breaker
 Forced draft cooling of machine
 Forced draft cooling of breaker
 Steel pads for kiln demolition or furnace

Other options

Air flushing through breaker to protect from dust
 Water spray through breaker to bind dust
 Extra hydraulic function
 Drainage hose
 CAN cable connection for tools
 Lifting eyes (regular lifting points are standard)

TOOLS

