

# BROKK 500

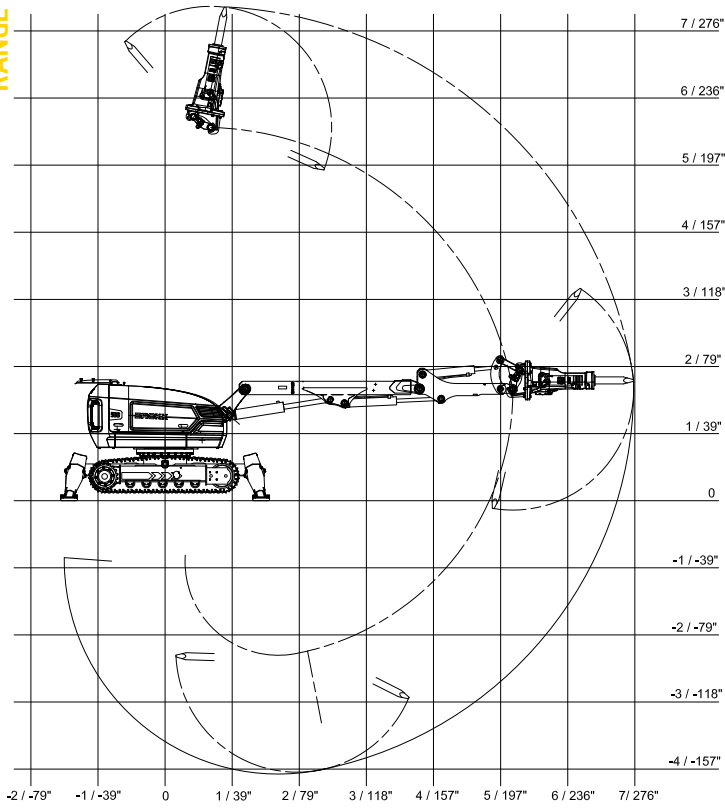


## When More Really is More

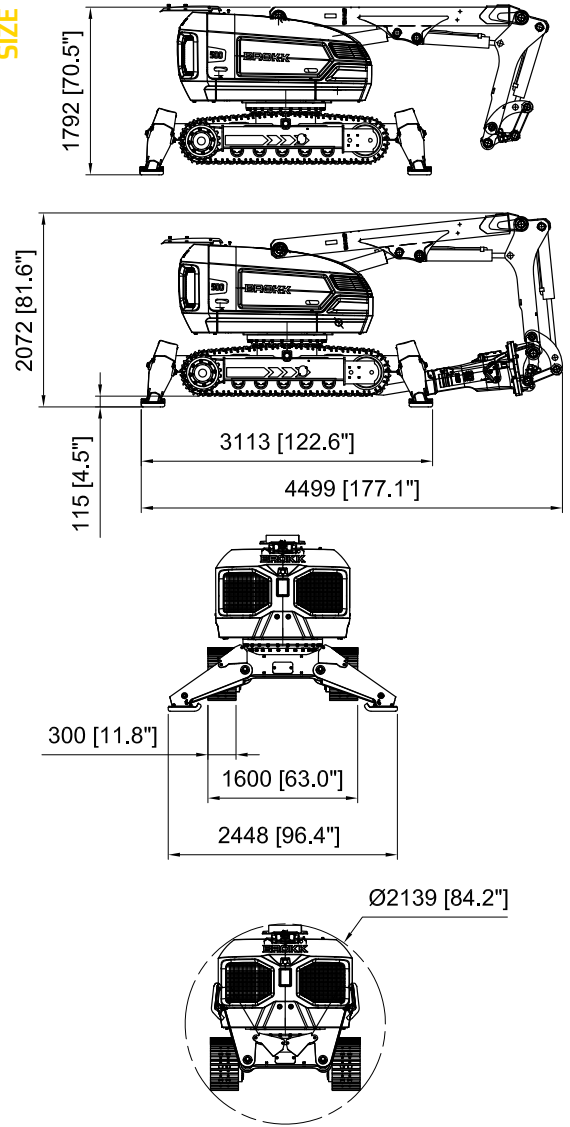
The new **BROKK 500** brings 40% more demolition power than its predecessor. And it provides the ability to size up the attachments, such as the powerful BHB 705 breaker. With the new reinforced design and additional work reach over the Brokk 400, while keeping about the same size and weight, it sets a new benchmark in power-to-size ratio in its segment. The Brokk 500 is equipped with Brokk SmartPower™ – an intelligent and hardened electrical system that increases the power output for maximum performance and industry leading availability over the lifetime of the machine. To top it off, the machine also adds the clever improvements of SmartDesign™ that will simplify the daily maintenance. In short – stronger, smarter and tougher!

- 40% more demolition power with the BHB 705 breaker
- Increased work reach and radius
- 41 kW Brokk SmartPower™ electrical system
- Brokk SmartDesign™ and SmartRemote™
- Compatible with all Brokk 400 attachments

**RANGE**



**SIZE**



**TECHNICAL DATA**

Hydraulic breaker in illustrations BHB 705  
 Load and stability diagram available on request

**Performance**

Slewing speed 16 sec/360°  
 Transport speed, max. 2,5 km/h; 1.6 mph  
 Climbing inclination, max. 30°

**Hydraulic system**

Hydraulic system capacity 145 l; 38 US gal  
 Pump type Variable load-sensing  
 System pressure 18,0 MPa; 2 611 psi  
 Increased pressure to attachment 24,0 MPa; 3 481 psi  
 Pump flow 50Hz 115 l/min; 30 US gal/min  
 60Hz 130 l/min; 34 US gal/min

**Power system**

Power technology SmartPower  
 Electric motor type ABB  
 Power\* 41 kW  
 Recommended fuse size\* 63 A  
 Starting device Soft start/Direct start

**Control system**

Control type SmartRemote, portable control  
 Signal code Digital  
 Transfer Professional radio/Cable  
 Range, radio Up to 300 m

**Weight**

Machine weight\*\* 5 200 kg; 11 464 lbs  
 Recommended attachment weight 700 kg; 1 543 lbs

**Noise level**

Sound power level  $L_{WA}$ \*\*\* 100 dB(A)

\*Valid for 400V/50Hz and 440V/60Hz  
 \*\*Excluding options and attachment  
 \*\*\*Measured according to directive 2000/14/EC, excl. attachment

**OPTIONS**

**Arm System**

Impact and heat protection for cylinder C2 and C3  
 Heavy duty arm 3

**Undercarriage**

Rubber caterpillar tracks  
 Steel caterpillar tracks

**Heat resistance**

Heat resistant hoses for hydraulic breaker  
 Forced draft cooling of machine  
 Forced draft cooling of breaker  
 Steel pads for kiln demolition or furnace

**Other options**

Air flushing through breaker to protect from dust  
 Water spray through breaker to bind dust  
 Counter weight  
 Cable reel with 60 m cable  
 Extra hydraulic function  
 Drainage hose  
 CAN cable connection for tools  
 Lifting eyes (regular lifting points are standard)

**TOOLS**

