

BROKK 110

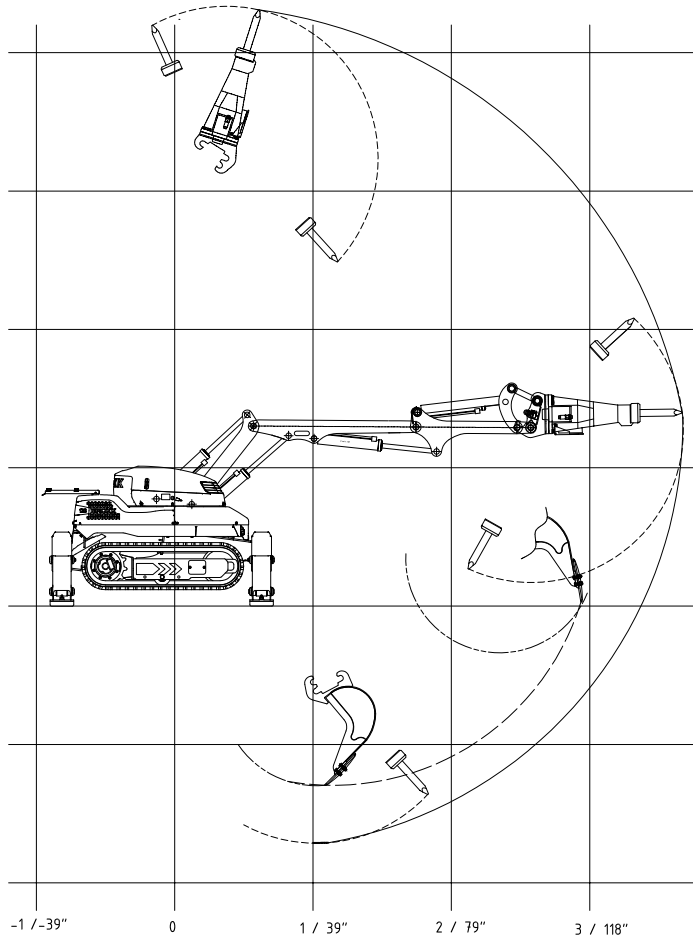


Stronger, Smarter, Tougher

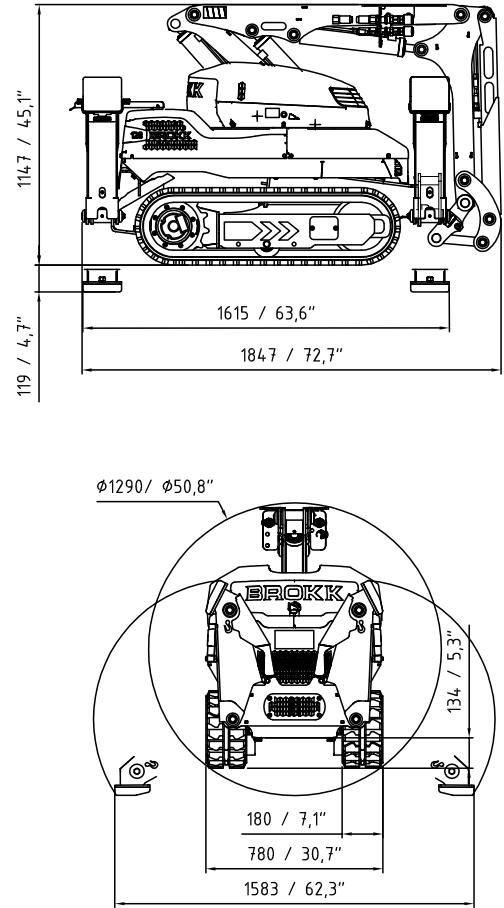
THE BROKK 110 is the new generation of demolition robots. With 15% more power than the Brokk 100 (and a whopping 50% more power than the Brokk 90), the new Brokk SmartPower™ electrical power system and the reinforced Brokk SmartDesign™, it's built to face almost anything. It is extraordinarily versatile in tight spaces, with its industry-leading compact size. It folds up into a surprisingly compact package that can climb stairs, fit in an elevator and be carried on a small truck or trailer. It's the perfect solution in a wide variety of residential, commercial and industrial environments. A demolition robot that's stronger, smarter and tougher.

- Most compact and powerful machine of its size
- 19,5 kW Brokk SmartPower™ electrical system
- Brokk SmartDesign™ and SmartRemote™
- Operates on both 16 A and 32 A fuses
- Real 360 degree working radius

RANGE



SIZE



TECHNICAL DATA

Hydraulic breaker in illustrations BHB 155
Load and stability diagram available on request

Performance

Slewing speed 10 sec/360°
Transport speed, max. 2,5 km/h; 1.6 mph
Climbing inclination, max. 30°

Hydraulic system

Hydraulic system capacity 40 l; 10.6 US gal
Pump type Variable load-sensing
System pressure 18,0 MPa; 2 611 psi
Pump flow 50Hz 54 l/min; 14 US gal/min
60Hz 65 l/min 17 US gal/min

Power system

Power technology SmartPower
Electric motor type ABB
Power* 19,5 kW
Recommended fuse size* 32 A
Minimum fuse size (reduced power)* 16 A
Starting device Soft start/Direct start

Control system

Control type SmartRemote, portable control
Signal code Digital
Transfer Professional radio/Cable
Range, radio Up to 300 m

Weight

Machine weight** 990 kg; 2 183 lbs
Recommended attachment weight 160 kg; 353 lbs

Noise level

Sound power level L_{WA} *** 91 dB(A)

*Valid for 400V/50Hz and 440V/60Hz
**Excluding options and attachment
***Measured according to directive 2000/14/EC, excl. attachment

OPTIONS

Arm System

Impact and heat protection for cylinder C2 and C3

Undercarriage

Rubber caterpillar tracks
Steel caterpillar tracks

Heat resistance

Heat resistant hoses
Forced draft cooling of machine
Forced draft cooling of breaker
Steel pads for machines placed on hot ground

Other options

Air flushing through breaker to protect from dust
Water spray through breaker to bind dust
Extra hydraulic function
Drainage hose
CAN cable connection
Lifting eyes (regular lifting points are standard)

TOOLS

