

/ BROKK 900 ROTOBOOM

Brokk 900 Rotoboom is the heaviest robot Brokk offers and with a reach at an incredible 10 meters it takes processing applications to a new level. With reliable SmartPower™ and 360-degree arm rotation this robot holds unbeatable capacity for heavy and demanding demolition and maintenance work in the metal processing industry. Equipped with Brokks unique heat and impact-protected process breaker it is perfect for working with hot ladles, converters, runners, and furnaces. In addition, the maneuvering has been improved to enable precision work in a completely new way.

- Specifically designed for tough metal processing applications
- Rotating arm system provide optimal flexibility
- Patented heat-shielded process breaker
- Diesel or electric powered



Hydraulic breaker in images: heat protected BHB 455
Load and stability diagram available on request



TECHNICAL DATA

Slewing speed	16 sec/360°
Transport speed, max.	2.8 km/h; 1.7 mph
Climbing inclination, max.	30°
Hydraulic system capacity	230 l; 60.8 US gal
Pump type	Variable load-sensing
System pressure	18.5 MPa; 2683 psi
Increased pressure to attachment	25 MPa; 3626 psi
Pump flow Diesel/50 Hz el. motor	148 l/min; 39 US gal/min
60 Hz el. motor	178 l/min; 47 US gal/min
Power technology	SmartPower™
Electric motor type	ABB
Power*	71 kW
Recommended fuse size*	125 A
Starting device	Soft start
Diesel performance - Type 1)	Kohler Four-cylinder, water-cooled, 4-stroke engine
Engine	55,5 kW; 74 hp diesel EPA Tier 4, EU Stage V
Engine oil volume	15.6 l; 4.1 US gal
Diesel performance - Type 2)	Kubota Four-cylinder, water-cooled, 4-stroke engine
Engine**	55,5 kW; 74 hp diesel EPA Tier 3, EU Stage IIIA
Engine oil volume	13.2 l; 3.5 US gal
Fuel tank capacity	80 l; 21.1 US gal
Freezing point	-40 °C; -40°F
Control type	SmartRemote™, portable
Signal code	Digital
Transfer	Professional radio/Cable
Range, radio	Up to 300 m
Machine weight***	11,600 kg; 25,574 lbs
Recommended attachment weight	600 kg; 1323 lbs
Sound power level L_{WA}**** El:	99 dB(A)

*Valid for 400 V/50 Hz and 440 V/60 Hz

**Rated power 74 kW: 99.2 hp at 2600 rpm (SAE J1995)

***Excluding options and attachment

****Measured according to directive 2000/14/EC, excl. attachment

OPTIONS

Extra cylinder protection

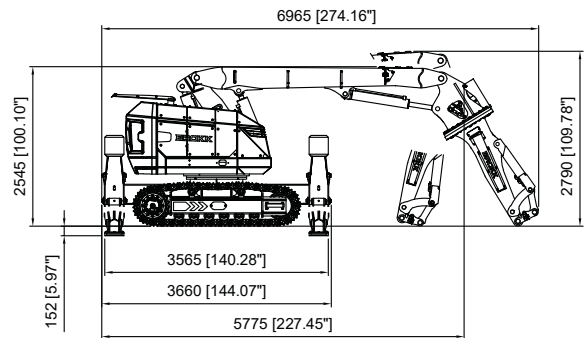
Forced draft cooling for machine

Forced draft cooling for breaker

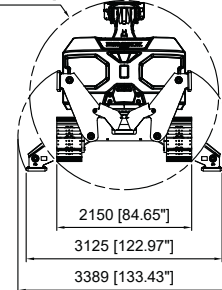
Lifting eyes (regular lifting points are standard)

Motion warning

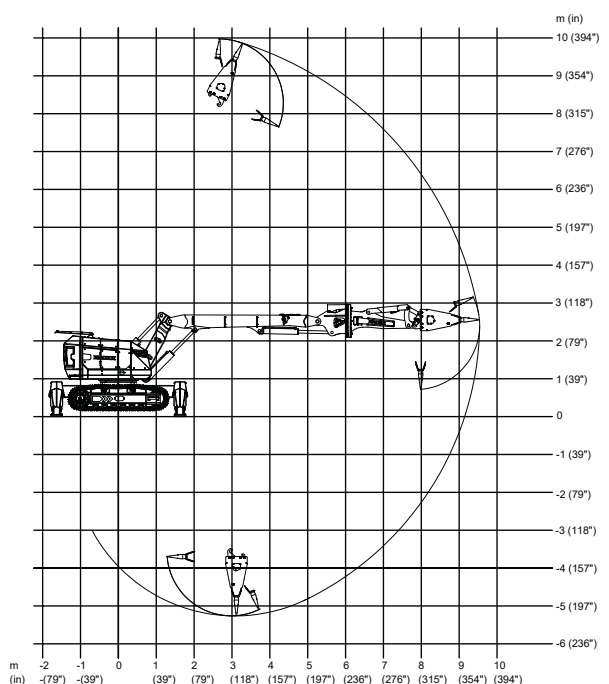
SIZE



Ø3015 [Ø118.72"]



RANGE



Tolerances for technical data may vary