

/ BROKK 200⁺



Weighing in at a mere 2.1 tons, the new generation Brokk 200⁺ offers unmatched reliability and endurance thanks to Brokk's latest innovation, Brokk SmartPower+. With added smart sensors and a sophisticated two-way communication system relaying updates in real-time, the Brokk 200⁺ provides added intelligence and unmatched power. The newest generation Brokk 200⁺ defies its size by accommodating heavier attachments to outperform any competition. Whether paired with the powerhouse BHB 305 breaker or the impressive Darda CC480 concrete crusher, the Brokk 200⁺ stands unrivaled. This compact machine seamlessly blends immense strength with impressive reach.

- Increase in uptime and more power over time
- Smart sensors and a sophisticated two-way communication system
- Tilted joysticks and ergonomic control box weighing less than 3kg
- Unleashes impressive demolition power
- Remarkably small footprint given its power and reach
- Employs a 27.5 kW Brokk SmartPower+ electrical system
- Engineered for heavy, high-performance attachments



Hydraulic breaker in images: BHB 305
Load and stability diagram available on request

TECHNICAL DATA

Slewing speed	10 sec/360°
Transport speed, max.	2.1 km/h; 1.3 mph
Climbing inclination, max.	30°
Hydraulic system capacity	85 l; 22.5 US gal
Pump type	Variable load-sensing
System pressure	18 MPa; 2611 psi
Increased pressure to attachment	23 MPa; 3336 psi
Pump flow 50 Hz	85 l/min; 22.5 US gal/min
60 Hz	102 l/min; 27 US gal/min
Power technology	SmartPower+
Electric motor type	ABB
Power*	27.5 kW
Recommended fuse size*	63 A
Starting device	Soft start/Direct start
Control unit	Portable
Signal code	Digital
Transfer	Professional radio/Cable
Range, radio	Up to 300 m
Machine weight**	2100 kg; 4630 lbs
Recommended attachment weight	350 kg; 772 lbs
Sound power level L_{WA}***	87 dB(A)

*Valid for 400 V/50 Hz and 440 V/60 Hz

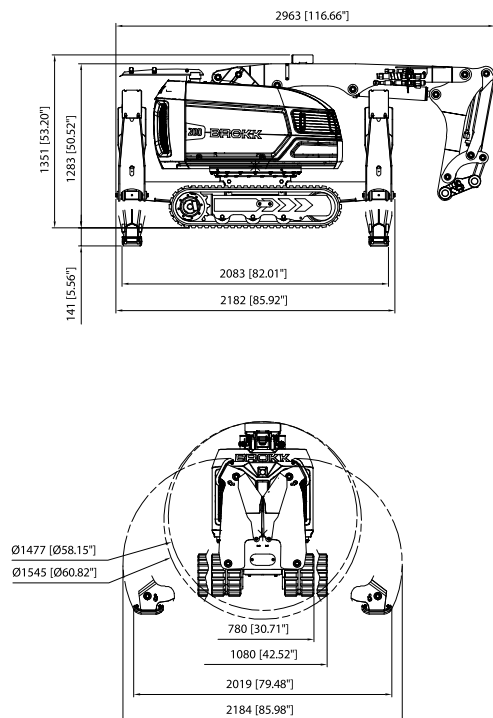
**Excluding options and attachment

***Measured according to directive 2000/14/EC, excl. attachment

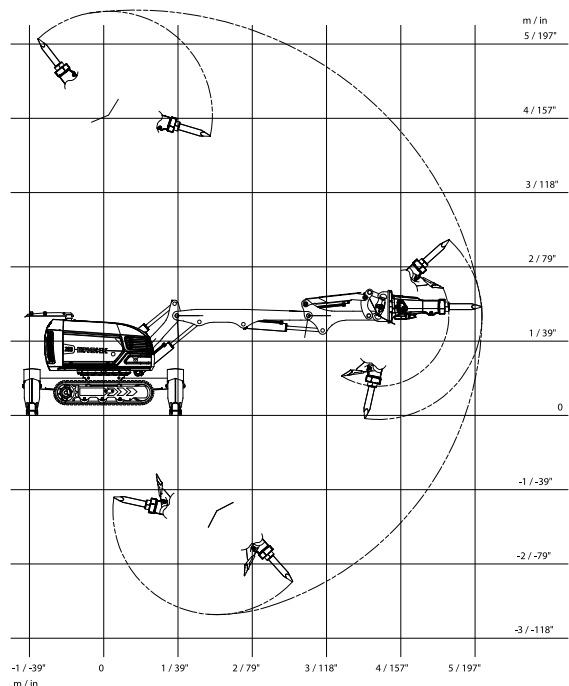
OPTIONS

Extra cylinder protection
Rubber caterpillar tracks
Steel caterpillar tracks
Heat resistant hoses
Forced draft cooling for machine
Forced draft cooling for breaker
Steel pads
Atomized water mist
Air flushing for breaker
Water spray for breaker
Extra hydraulic function
Drainage hose
CAN cable connection
Counterweight
Lifting eyes (regular lifting points are standard)
Motion warning

SIZE



RANGE



Tolerances for technical data may vary