

/ BROKK VACUUM EXCAVATOR



The Brokk Vacuum Excavator solution includes:

- Hose management system mounted on rear and arm 2
- Maneuverable 3-part arm to secure and transport hose
- Specially designed plate to attach the dig tube nozzle

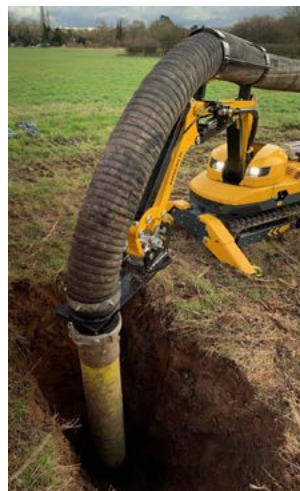
Experience the Future of Excavation

In today's ever-evolving world of cleanup and maintenance, innovation is the key to success. Enter the Brokk Vacuum Excavator, a revolutionary remote-controlled no-dig vacuum excavation solution that sets new standards for efficiency and safety in debris removal.

At its core, the Brokk Vacuum Excavator streamlines excavation processes with unparalleled precision, while significantly reducing the risk of damaging hidden services. Whether you're working on highway projects, railway maintenance, or even disaster relief sites, the Brokk Vacuum Excavator is your versatile companion, ensuring swift and precise excavation in any scenario.

Compact and operator-friendly, the Brokk Vacuum Excavator boasts a small equipment footprint, making it perfect for residential areas and other locations where space is limited. Its remote-controlled operation not only enhances safety but also ensures maximum efficiency, allowing you to tackle excavation tasks with ease and confidence.

Experience the future of excavation with the Brokk Vacuum Excavator. Discover how our innovative excavation solution can transform your projects, delivering unmatched efficiency, safety, and peace of mind every step of the way.



The Brokk 120D^{II}*

- 780 mm (30.7 in.) wide
- 1250 mm (49.2 in.) high
- 1230 kg (2712 lbs)
- Quick hitch allows for seamless change of attachment
- Compact, powerful, and remote-controlled

Any Brokk robot can be fitted with a Brokk vacuum excavation solution, but the Brokk 120D^{II} is most commonly used.

*In standard version, excluding options and attachment



/ BROKK VACUUM EXCAVATOR - 120D^{II}

TECHNICAL DATA

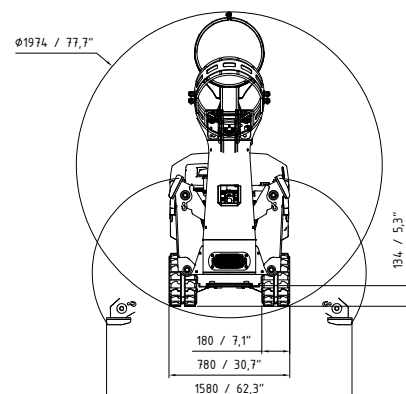
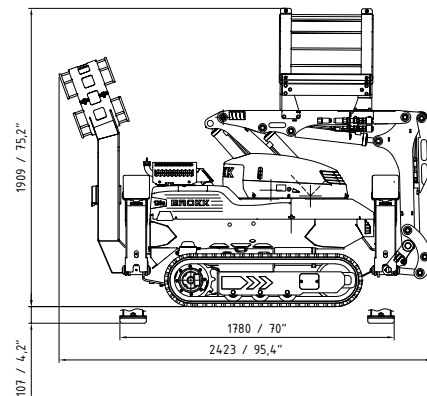
Slewing speed	10 sec/360°
Transport speed, max.	3 km/h; 1.9 mph
Climbing inclination, max.	30°
Hydraulic system capacity	45 l; 11.9 US gal
Pump type	Gear pump with fixed displacement
System pressure*	18 MPa; 2611 psi
Pump flow	50 l/min; 13 US gal/min
Diesel performance - type	Three-cylinder, water-cooled, 4-stroke engine
Engine	18.5 kW; 24.8 hp diesel EPA Tier 4
Fuel tank capacity	30 l; 7.9 US gal
Engine oil volume	5.1 l; 1.35 US gal
Freezing point	-40°C; -40°F
Control type	SmartRemote™, portable
Signal code	Digital
Transfer	Professional radio/Cable
Range, radio	Up to 300 m
Machine weight**	1230 kg; 2712 lbs
Recommended attachment weight	160 kg; 353 lbs
Sound power level L _{WA} ***	101 dB(A)

*Hydraulic pressure can be increased depending on the attachment

**Excluding options and attachment

***Measured according to directive 2000/14/EC, excl. attachment

SIZE



Tolerances for technical data may vary