

BROKK 50



Demolition in minimal spaces

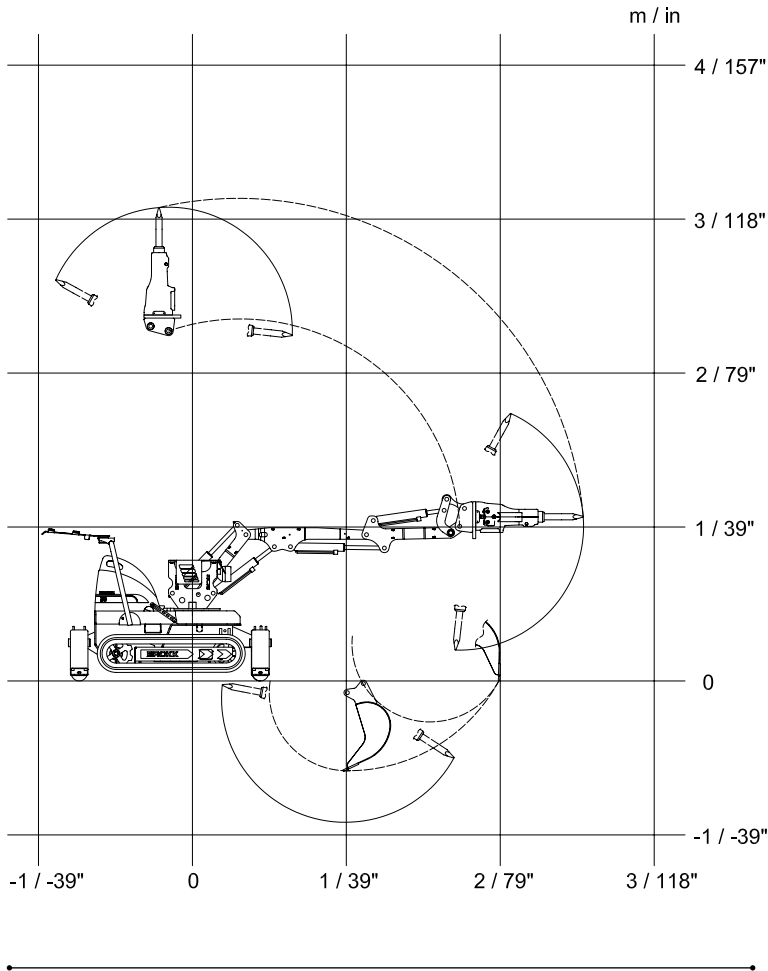
THE BROKK 50 is the smallest model in the Brokk family. So tiny and light that it gets into places where it was previously impossible to bring demolition equipment. Once in position, the 50 is impressively powerful and capable of getting lots of different jobs done safely and efficiently. Four outriggers help create a wider footprint for exceptional stability wherever you take it.

APPLICATIONS

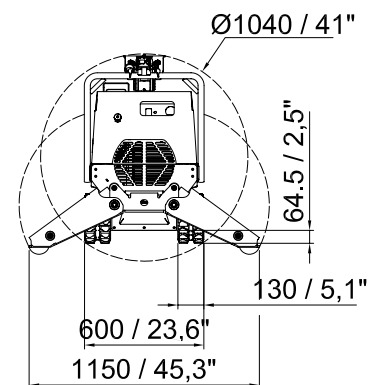
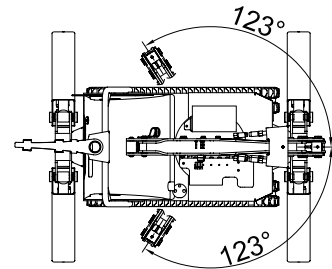
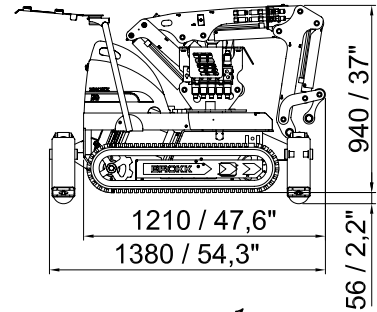
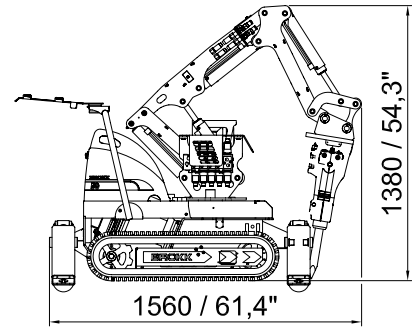
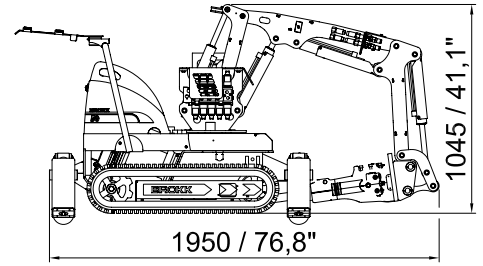
Light demolition work in confined spaces and small-scale maintenance and refurbishing work.

Despite its small size and weight, the Brokk 50 is up to six times more efficient than handheld equipment. Ideal for smaller indoor jobs, it passes through narrow doorways, tiptoes across weak floors and fits into the tightest spaces. Its powerful utility can be transported just about anywhere, including passenger elevators and up and down staircases.

RANGE



SIZE



TECHNICAL DATA

Hydraulic breaker in illustrations SB 52
 Load and stability diagram can be ordered from Brokk AB

Performance

Slewing speed 6.5 sec/245°
 Transport speed, max 2.1 km/h; 0.6 m/s; 1.3 mph
 Incline angle, max. 30°

Hydraulic system

Hydraulic system capacity 27 l; 7.1 US gal
 Pump type Gear pump with fixed displacement
 System pressure 18 MPa; 2,610 psi
 Oil flow max 50Hz and 60Hz 18 l/min; 4.8 US gal/min

Electric motor

Type ABB
 Output* 5.5 kW
 Current* 12.5 A
 Starting device Direct start

Control system

Control type Portable control box
 Signal code Digital
 Transfer Cable/Radio

Weight

Weight of machine excluding attachment 500 kg; 1,102 lb

Machine noise level

Sound power level Lwa, measured according to directive 2000/14/EC 82.9 dB(A)

TOOLS



*Valid for 400V/50Hz